

KLUDI
RAK



Bathroom & Kitchen Fittings
2024





KLUDI
RAK

PASSION	12 - 15
PRIME	16 - 19
PROJECT	20 - 23
PEARL	24 - 27
POLARIS	28 - 31
PEAK	32 - 35
SELF CLOSING	36 - 37
SINK MIXER	38 - 39
SHOWER	40 - 49
ACCESSORIES	50 - 58
STAINLESS STEEL FITTINGS	59 - 64

KLUDI RAK

KLUDI RAK is a limited liability company founded in 2007 as a joint venture between the high profile German bathroom and kitchen fittings manufacturer KLUDI and RAK Ceramics - one of the world's largest ceramic manufacturers.

KLUDI RAK is headquartered in the Emirate of Ras Al Khaimah and manufactures high quality bathroom fittings with timeless and modern design. Combined with the best German technology and quality ensuring processes, modern European machines and proven understanding of the local market, KLUDI RAK provides long lasting bathroom fittings - which satisfy many customers in the Middle East, South Asia and Africa. In order to constantly guarantee the high standards of our products, we use components that are carefully selected and sourced from well-established European suppliers. Additionally, every piece leaving our factory is controlled by very well trained, highly skilled and experienced employees to ensure a German quality standard.



The humble origins of a successful business conglomerate - KLUDI dates back to 1926, where the concept of quality and sustainable bath fittings for the user's comfort and convenience took shape in a production workshop in Germany. The idea evolved from KLUDI's core mission, to make every household innovative and add value to the lives of people in the community.

KLUDI are the experts in bathroom and kitchen fittings and total bathroom solutions. With almost 100 years of experience in the design of fittings, the design experts blend shape and function to create a spectrum of precision-perfect products. KLUDI's exclusive product portfolio of fittings is unique in design and conserves water & energy. Reputed for their aesthetic styles, functionality and sustainable features, KLUDI fittings continue to be a source of inspiration even today.

To cater to the quality-conscious customers in the United Arab Emirates and the Middle East and their requirements for elegant and functional quality fittings, RAK Ceramics, the world's largest ceramic manufacturer in collaboration with KLUDI Germany, the world-leaders in mixers, showers and accessories established KLUDI RAK in the Emirate of Ras Al Khaimah.

Together with KLUDI RAK's 15 years of regional expertise, skilled craftsmen, a manufacturing unit equipped with advanced European technology and backed by KLUDI's 9 decades of expertise in kitchen and bath fittings, KLUDI RAK has all the strengths combined to design and manufacture premium water-efficient products that are durable and consistent in quality.

KLUDI RAK fittings are the preferred product of choice for commercial, industrial, residential sectors and hospitality across UAE. Moreover are recommended by architects, interior decorators and project planners. KLUDI RAK is thus poised to offer top-notch kitchen and bathroom products to its valued customers in UAE and the Middle East.

UPHOLDING
THE HERITAGE
OF QUALITY
SINCE



1926



PERFECTING PRECISION FITTINGS THROUGH TECHNOLOGY



- 1** KLUDI RAK uses Brass as per European Drinking water standard.
- 2** KLUDI RAK maintains a 3-layer plating thickness of Semi bright Nickel, bright Nickel and Chrome - measuring minimum 12.3 microns
- 3** KLUDI RAK LONG LIFE TECHNOLOGY These special Ceramic cartridges have an effortless movement that fulfill the endurance tests under EN817 with 210,000 cycles without any damage
- 4** Plastic parts which are in accordance to KTW/W270, WRAS, KIWA and DVGW approvals
- 5** The aerator innovative solutions for drinking water regulate flow rates and protect water from contamination and reduce water consumption
- 6** The Flex Hose outer stainless steel braiding and the inside Pex Tube ensure hygiene safety conforming with DVGW KIWA/ CSTB/WRAS certificates



QUALITY REFLECTS IN EVERY DETAIL

Makers of beautifully crafted, high quality kitchen and bathroom products KLUDI RAK is a brand to reckon with. Strategically located in the Emirate of Ras Al Khaimah, KLUDI RAK upholds the brand promise by consistently delivering top-grade products to its loyal customers.

Accredited with various certifications for quality, conformity and promoting sustainability, the state-of-the-art manufacturing plant of KLUDI RAK integrates the latest European technical innovations in its development process, while adhering to sustainable practices by creating energy and water saving products, besides having superior quality raw materials procured from Europe to maintain consistency in the quality of the products at all times; ultimately, the finest range of bathroom and products are directly supplied from the KLUDI RAK factory across GCC, the Middle East, Africa and Indian subcontinent.



SAVE WATER FOR FUTURE GENERATIONS



ADDED ADVANTAGES

- Maximum lime resistance.
- Maximum lifespan.
- Perfect stream quality even under different flow conditions.
- Very low noise level.
- Damage proof: unlike Conventional wire mesh screens, it can't be crushed.
- Integrated anti clogging dome screen -which filters sediments and particles.
- Constant flow rate as per requirements can be achieved irrespective of input pressure.

75% SAVE UP TO
OF TAP WATER

							
8L/min	1.4L/min	1.4L/min	1.9L/min	3.8L/min	3.8L/min	5.7L/min	5.7L/min
							
70490198	70490298	70490398	70490498	70490598	70490698	70490798	70490898
Water saver for Hand Shower, Over Head Shower & Shataff ~8 L/min.	Water saver for public area Basin Mixer, Sink Mixer & Ablution Tap: ~1.4 L/min	Water saver for public area Basin Mixer, Sink Mixer & Ablution Tap: ~1.4 L/min.	Water saver for Basin Mixer, Sink Mixer & Ablution Tap: ~1.9 L/min.	Water saver for Hand Shower, Over Head Shower & Shataff ~3.8 L/min.	Water saver for Hand Shower, Over Head Shower & Shataff ~3.8 L/min.	Water saver for Hand Shower, Over Head Shower & Shataff ~5.7 L/min.	Water saver for Hand Shower, Over Head Shower & Shataff ~5.7 L/min.

PASSION

CLASSIC STYLE WITH ENHANCED FLEXIBILITY

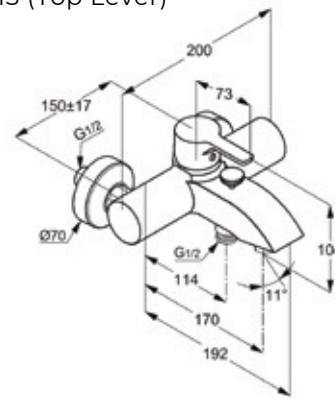
A flawless synergy of geometric shapes that blends with all bathroom styles, mixers from the Passion is designed to offer maximum flexibility. The shower fittings have a sleek and flat hand-held shower that releases gentle & steady flow of water similar to the falling rain. Furthermore showering becomes an invigorating experience. The Kitchen mixer comes with a spout that can revolve 360 degrees, creating ample space within the sink.





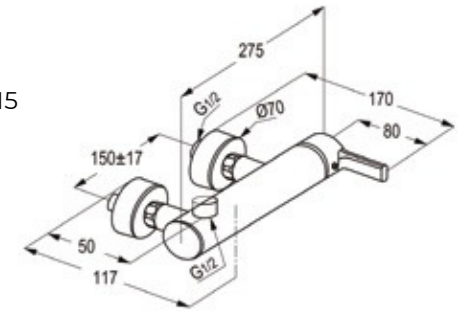
RAK13102

Single lever bath & shower mixer DN 15 (Top Lever)
without shower set
ceramic cartridge-K35
aerator M 24 X 1
flow class CB
automatic diverter: shower to bathtub
shower outlet G 1/2"
protected against back flow
S- unions 1/2 X 3/4 inch
European standard- EN 817



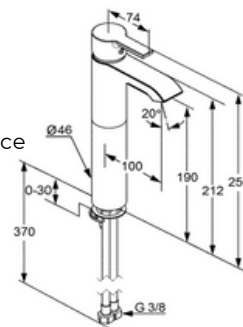
RAK13005 ***

Single lever shower mixer DN 15
ceramic cartridge-K41
Flow class B
shower outlet G 1/2"
protected against back flow
S- unions 1/2 X 3/4 inch



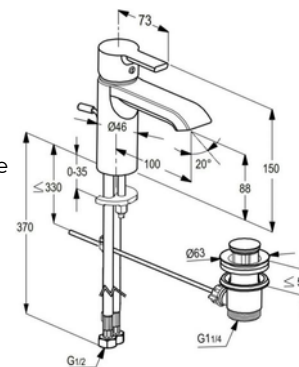
RAK130100

Single lever basin mixer high DN 10
single hole mounted
solid lever
ceramic cartridge with hot water safety device
cache aerator M 24 x 1
flow class A
flexible high pressure supply tubes 3/8 inch
rapid installation set in accordance to EN 81



RAK13004-03

single lever basin mixer DN 15
single hole mounted
solid lever
ceramic cartridge with hot water safety device
PCA cache aerator M24 x 1
flow level 1.0 gpm (3.8 ltr/min)
flexible high pressure supply tubes 1/2 inch
rapid installation set
pop up waste 1 1/4 inch
in accordance to EN 817
Pressure Compensating Aerator 1.0 gpm (3.8 ltr/min)



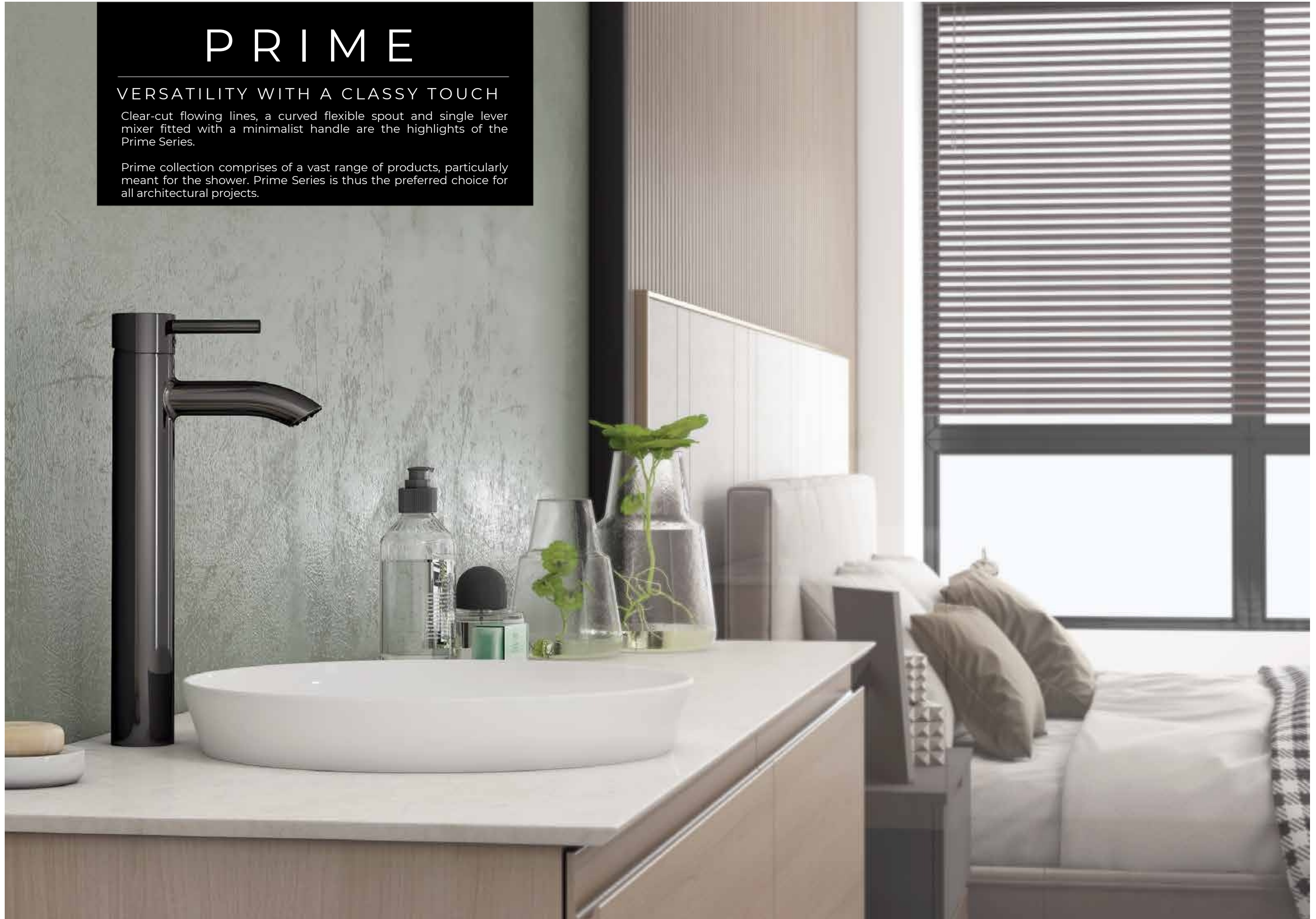
PASSION

PRIME

VERSATILITY WITH A CLASSY TOUCH

Clear-cut flowing lines, a curved flexible spout and single lever mixer fitted with a minimalist handle are the highlights of the Prime Series.

Prime collection comprises of a vast range of products, particularly meant for the shower. Prime Series is thus the preferred choice for all architectural projects.





PROJECT

SOPHISTICATED CRAFTSMANSHIP WITH QUALITY FINISH

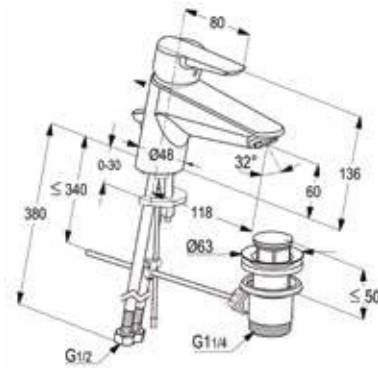
The Project range is characterised by smooth flowing contours with rounded edges that makes it compatible with all bathroom styles. These mixers sport superior grade chrome surface and are made of excellent quality ceramic cartridge that guarantees durability and functionality.

For discerning customers who seek top-grade fittings at an affordable cost, the Project collection of mixers fits the bill perfectly.

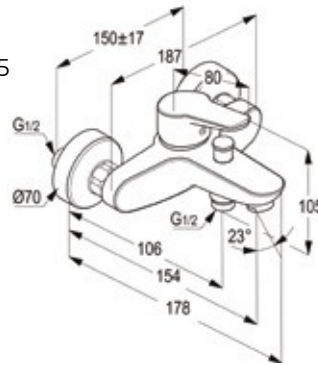
PROJECT



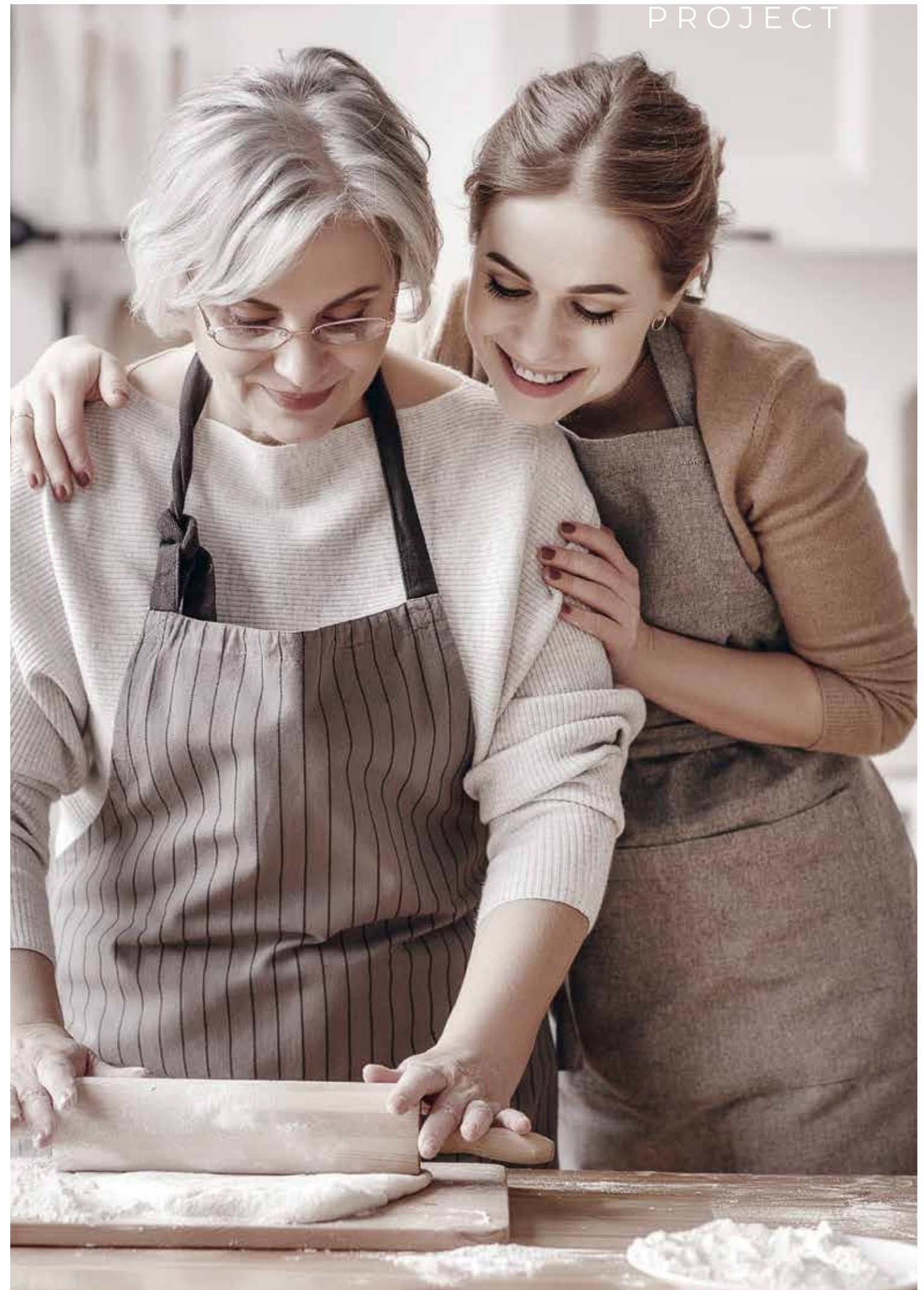
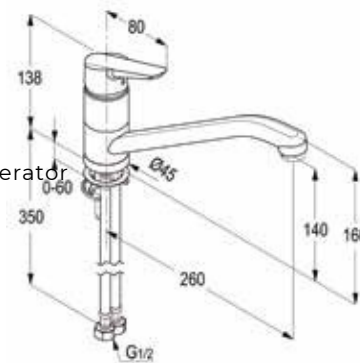
RAK11000
 Single lever basin mixer DN 15
 ceramic cartridge K-35
 aerator M 24 x 1
 1/2" high pressure flexible hose
 with PEX tubes
 pop up waste 1 1/4 inch
 European Standard - EN 817



RAK11002
 Single lever bath & shower mixer DN 15
 without shower set
 ceramic cartridge-K35
 aerator M 24 X 1
 flow class CB
 automatic diverter: shower to bathtub
 shower outlet G 1/2"
 protected against back flow
 S- unions 1/2 X 3/4 inch
 European standard- EN 817



RAK11008
 Single lever sink mixer DN 15
 ceramic cartridge-K35
 swivelling (360°) spout l = 260 mm aerator
 M 24 x 1
 1/2" high pressure flexible hose
 with PEX tubes
 European Standard - EN 817



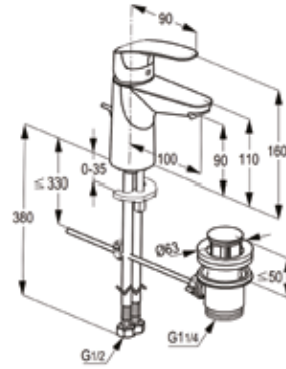


PEARL

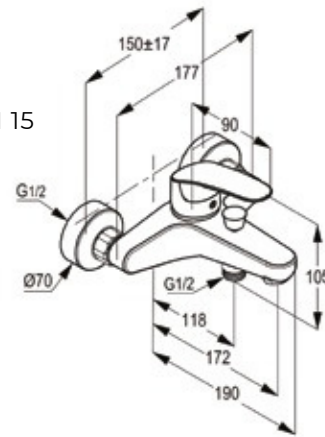
Extravagant and yet natural at the same time - that is the beauty of Pearl. These highly contemporary fittings provide a winning combination of innovative technology and cascade aerator. The cascade aerator in both basin and bath resembles the natural flow of water in the wild.

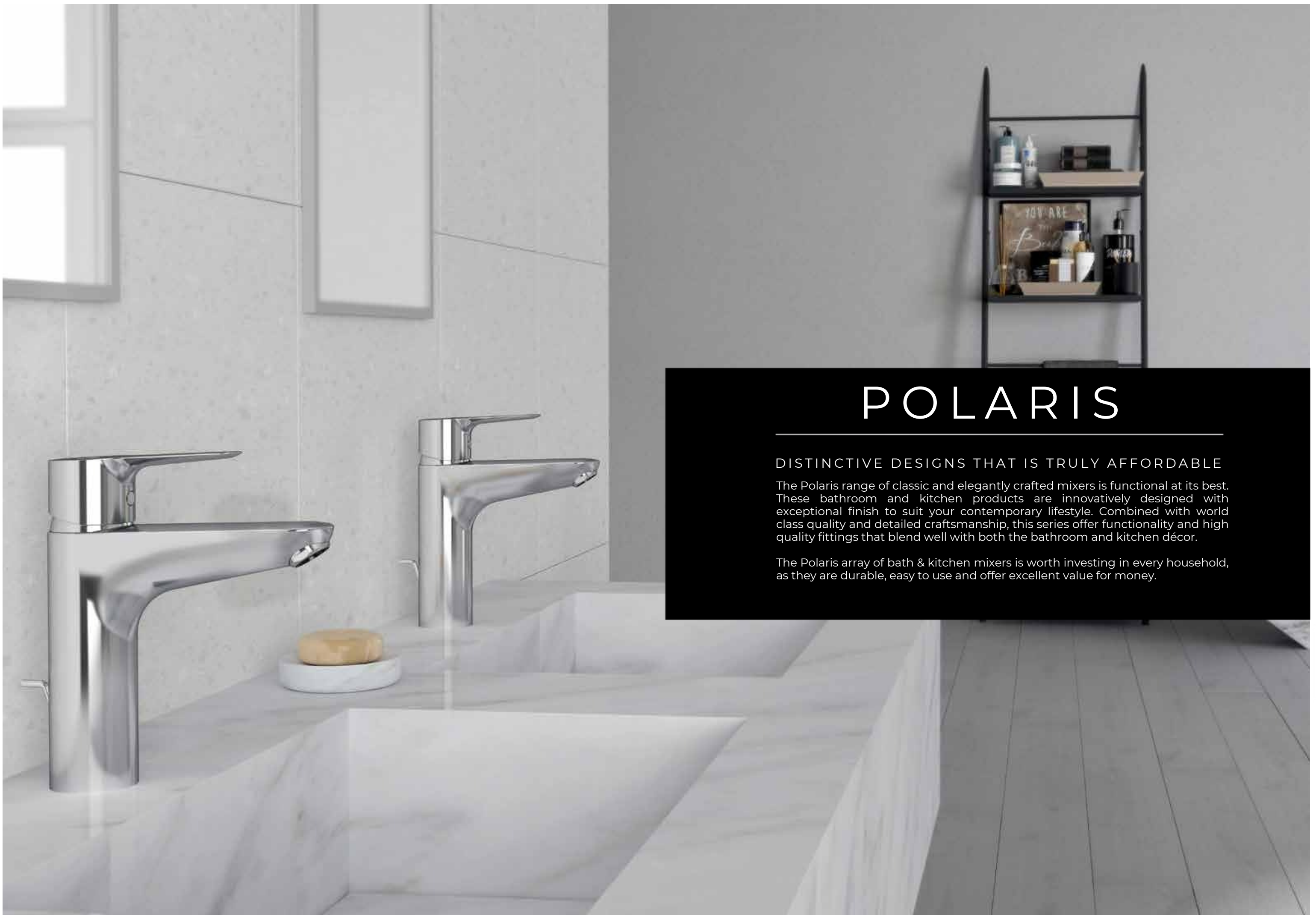


RAK17040-03
 Single lever basin mixer DN 15
 ceramic cartridge - K35
 aerator M 24 x 1
 1/2" high pressure flexible hose
 with PEX tubes
 pop up waste 1 1/4 inch
 European Standard- EN 817



RAK17002
 Single lever bath & shower mixer DN 15
 without shower set
 ceramic cartridge-K35
 aerator M 24 X 1
 flow class CB
 automatic diverter: shower to bathtub
 shower outlet G 1/2"
 protected against back flow
 S- unions 1/2 X 3/4 inch
 European standard- EN 817





POLARIS

DISTINCTIVE DESIGNS THAT IS TRULY AFFORDABLE

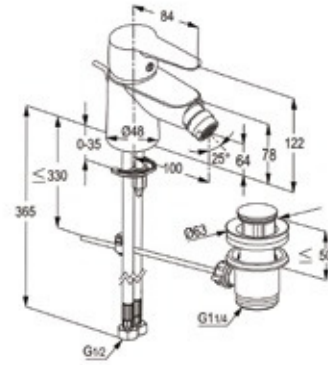
The Polaris range of classic and elegantly crafted mixers is functional at its best. These bathroom and kitchen products are innovatively designed with exceptional finish to suit your contemporary lifestyle. Combined with world class quality and detailed craftsmanship, this series offer functionality and high quality fittings that blend well with both the bathroom and kitchen décor.

The Polaris array of bath & kitchen mixers is worth investing in every household, as they are durable, easy to use and offer excellent value for money.



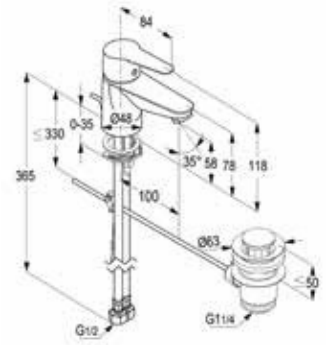
RAK10001

Single lever bidet mixer DN 15
 ceramic cartridge-K35
 ball joint aerator M 24 x 1
 1/2" high pressure flexible hose
 with PEX tubes
 pop up waste 1 1/4 inch
 European Standard - EN 817



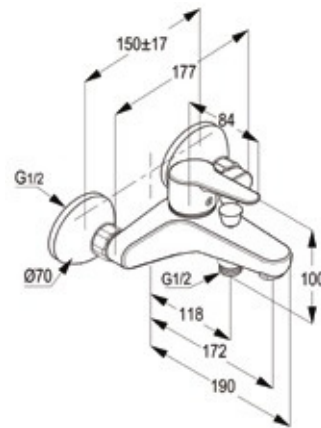
RAK10000

Single lever basin mixer DN 15
 ceramic cartridge - K35
 aerator M 24 x 1
 1/2" high pressure flexible hose
 with PEX tubes
 pop up waste 1 1/4 inch
 European Standard- EN 817



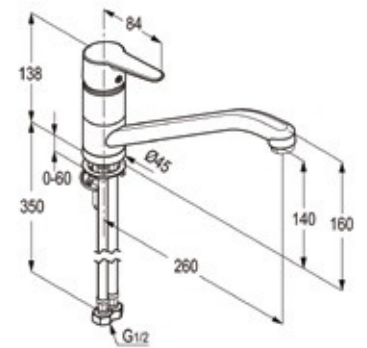
RAK10002

Single lever bath & shower mixer DN 15
 without shower set
 ceramic cartridge-K35
 aerator M 24 X 1
 flow class DB
 automatic diverter shower to
 bathtub shower outlet G 1/2"
 protected against back flow
 S- unions 1/2 X 3/4 inch
 European standard- EN 817



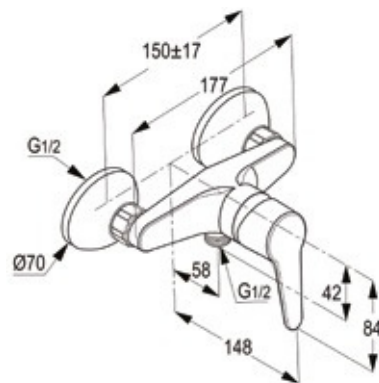
RAK10014

Single lever sink mixer DN 15
 ceramic cartridge-K35
 swivelling (360°) spout l = 260 mm
 aerator M 24 x 1
 1/2" high pressure flexible hose
 with PEX tubes
 European Standard - EN 817



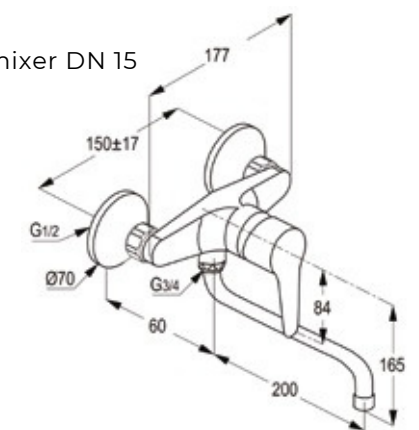
RAK10003

Single lever shower mixer DN 15
 ceramic cartridge-K35
 flow class B
 shower outlet G 1/2"
 protected against back flow
 S- unions 1/2 X 3/4 inch
 European standard- EN 817



RAK10008

Wall mounted single lever sink mixer DN 15
 ceramic cartridge-K35
 swivelling (185°) spout l = 200 mm
 aerator M 22 x 1
 flow class A
 S- unions 1/2 X 3/4 inch
 European standard- EN 817



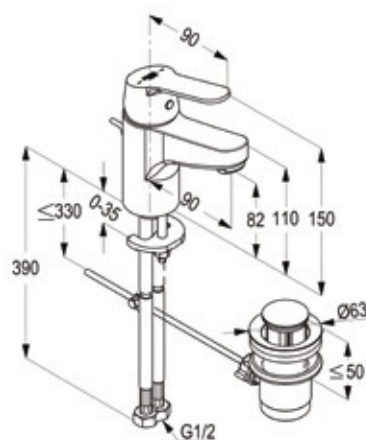


PEAK

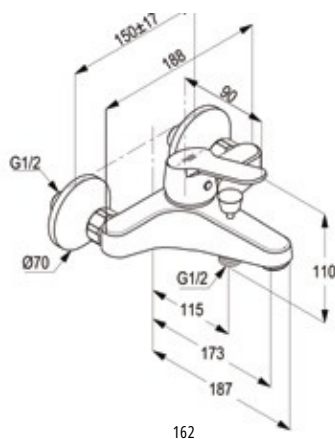
DISTINCTIVE DESIGN THAT
IS TRULY AFFORDABLE



RAK18000
 Single lever basin mixer DN 15
 ceramic cartridge - K35
 aerator M 24 x 1
 1/2" high pressure flexible hose
 with PEX tubes
 pop up waste 1 1/4 inch
 European Standard- EN 817



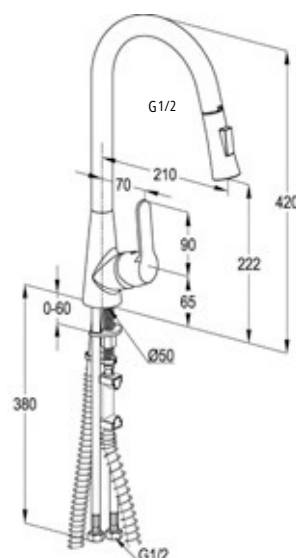
RAK18002
 Single lever bath & shower mixer DN 15
 without shower set
 ceramic cartridge-K35
 aerator M 24 X 1
 flow class CB
 automatic diverter shower to
 bathtub shower outlet G 1/2"
 protected against back flow
 S- unions 1/2 X 3/4 inch
 European standard- EN 817



RAK18072
 Single lever sink mixer DN15
 single hole mounted,
 swivel spout (360°)
 pull-out hand spray
 automatic diverter: jet/spray
 Double clip quick connector with
 back flow preventer



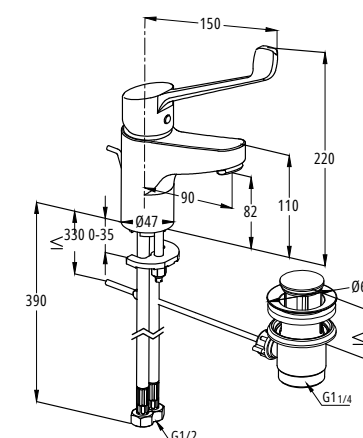
SWIVEL SPOUT (360°) PULL-OUT HAND SPRAY



PEAK MEDICARE HAS BEEN DESIGNED TO BE OPERATED EASILY BY FOREARM OR ELBOW.
 THIS AVOIDS THE NEED FOR HAND CONTACT AND THE CONSEQUENT RISK CONTAMINATION



RAK18070
 Medicare single lever basin mixer DN 15
 solid clinic lever K36
 ceramic cartridge with hot water safety device
 PCA aerator M 24 x 1
 flexible high pressure supply tubes 1/2 inch
 pop up waste 1 1/4 inch
 European Standard- EN 817



SELF CLOSING

Built with superior technology, our array of free-standing single lever taps is timed to make efficient use of water. Compatible with all water systems for traditional and modern bathrooms, these self-closing, push type faucets from KLUDI RAK is ideal for both residential and commercial usage.

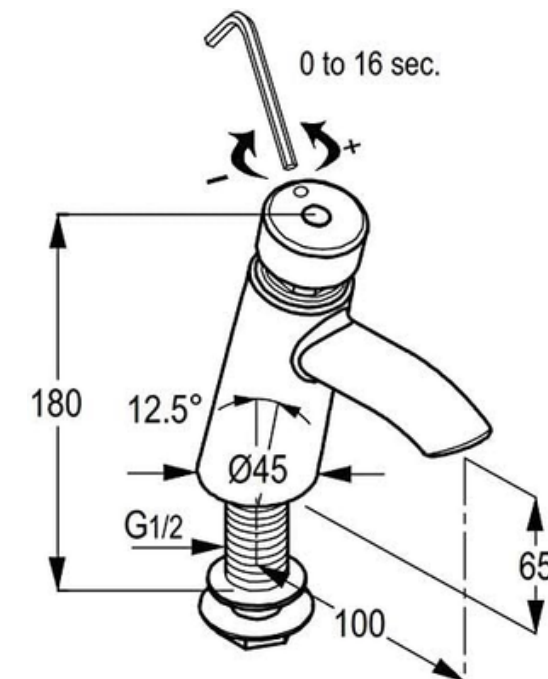


SELF CLOSING



RAK50001

Self Closing Tap - Push type DN 15
push type
cache type aerator M16.5x1 minimum
working pressure 0.1bar maximum
working pressure 3 bar time of water
flow 0 to 16sec with 2mm allen key for
time adjustment



PEAK *Pull Out Sink Mixer*



SINK MIXER



Single lever sink mixer with pull-out hand spray



Automatic diverter: Jet / Spray

SWIVEL SPOUT (360°) PULL-OUT HAND SPRAY





CONCEALED FITTINGS



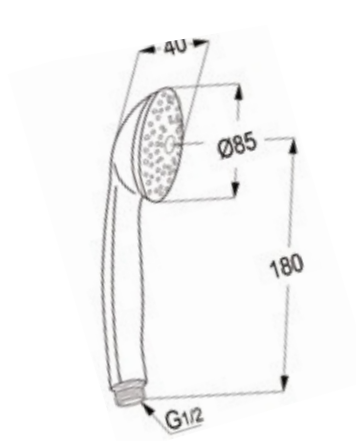
SHOWER

Space being an essential feature in the shower area, at KLUDI RAK our innovators with their practical planning and integration of the world's latest technology have designed concealed bath and shower mixers with a multitude of design options and features.

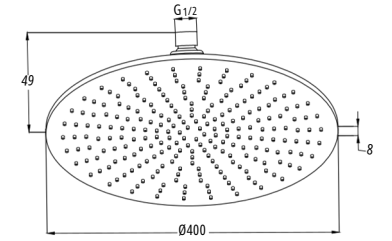
Sleek and sophisticated Concealed Fittings from KLUDI RAK make efficient use of shower space without compromising on its functionality and user's comfort.



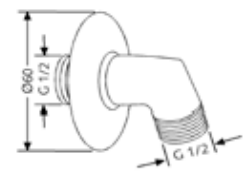
RAK7310005 ***
1S Hand Shower DN 15
jet kind : rain shower



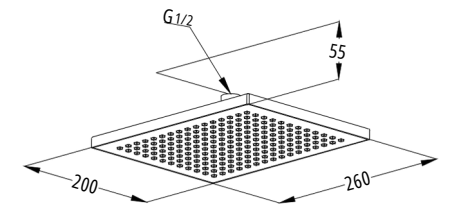
RAK45040
Brass Over head shower DN 15
400mm
with cleaning system



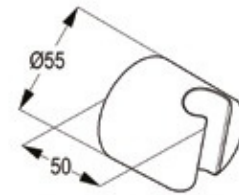
RAK6054005 ***
Wall supply DN 15
with wall flange
connection 1/2 inch



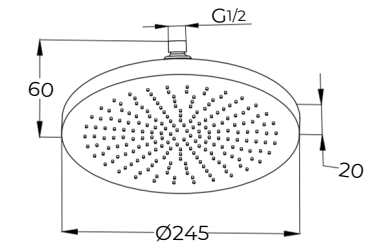
RAK22056
ABS Over head shower DN 15
260 mm x 200 mm
with cleaning system
with ball joint connection 1/2 inch



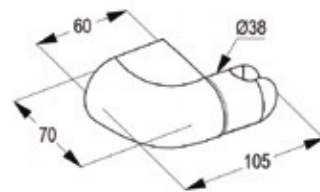
RAK6055105 ***
Wall mount shower holder
with screws and dowels



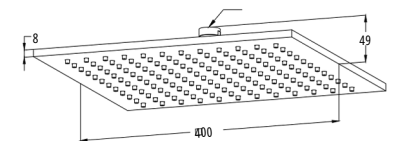
RAK12014 ***
ABS Over head Shower DN 15,
Ø 245 mm
with swivel ball joint 1/2" inch



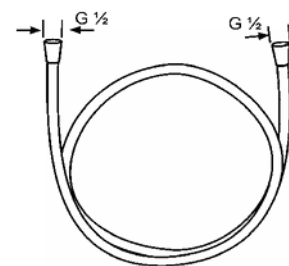
RAK22030 ***
Wall mounted
Adjustable shower holder
with screws and dowels



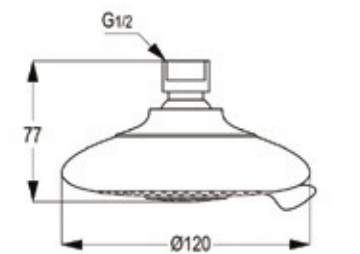
RAK45140
Brass Over head shower DN 15
400 mm x 400 mm
with cleaning system



RAK6105605 ***
Logo flex hose DN 15
plastic coated with metal-effect
with conical nuts 1/2 x 1/2 inch x
1600mm



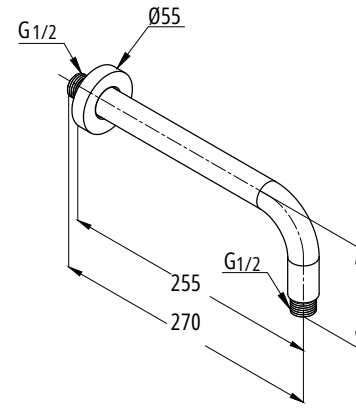
RAK44002 ***
Over head Shower 4S - DN 15,
Ø 120 mm
with swivel ball joint 1/2" inch
Jet kind : spray/misty/massage/
spray & massage



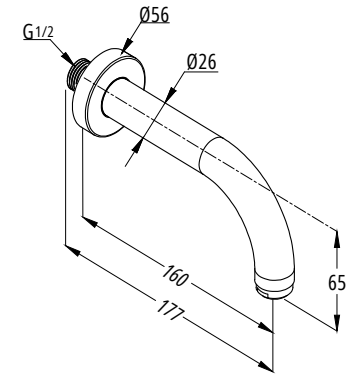
1/2



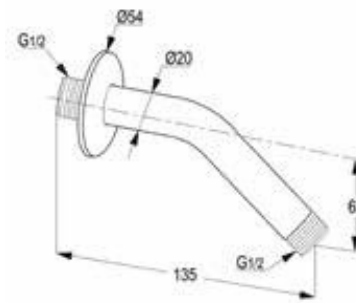
RAK10012 ***
 Shower arm 250 mm, DN 15
 Projection 255 mm
 with sliding cover
 plate male thread 1/2
 inch
 Recommended for smaller
 than 250mmØ head shower



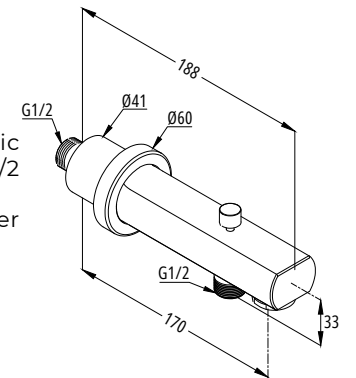
RAK12007 ***
 PRIME Wall spout DN 15
 wall projection 160 mm
 wall fastening cascade
 aerator M 24 x 1flow
 class C with sliding cover plate
 in accordance to EN 200



RAK45001 ***
 Shower arm 135 mm, DN 15
 Projection 135 mm
 with sliding cover
 plate male thread 1/2
 inch



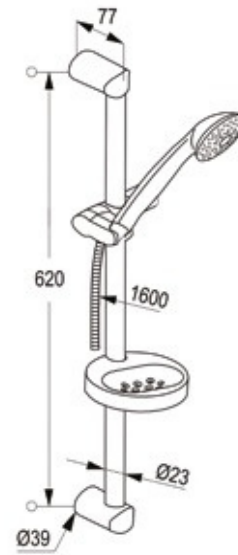
RAK11013 ***
 PROJECT wall spout DN15
 aerator M 28 x 1 flow class BB automatic
 diverter: shower to bathtub shower outlet 1/2
 inch
 protected against back flow with sliding cover
 plate Ø 60 mm
 projection 170 mm





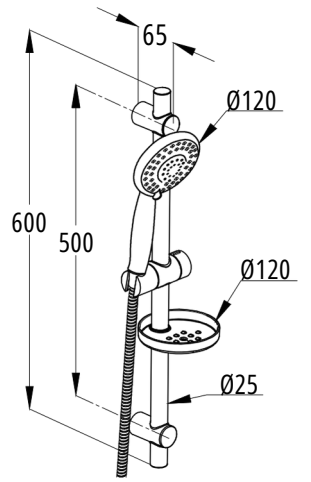
TRIO - 1S
RAK6013105
 1S Shower set L=600mm

wall bar with slider horizontally and vertically adjustable
 jet kind:rain shower
 with soap dish
 with fixing kit
 1S hand-held shower
 with quick lime deposit cleaning system
 with Logoflex-hose, plastic coated with metal-effect
 and conical nuts 1/2 x 1/2 inch x 1600 mm
 with screws and dowels



RAK62002
 4S Shower set L=600 mm

wall bar with slider horizontally and vertically adjustable
 jet kind: spray/misty/massage/spray & massage
 with soap dish
 with fixing kit
 4S hand-held shower
 with quick lime deposit cleaning system
 with stainless steel hose
 and conical nuts 1/2 x 1/2 inch x 1500 mm
 with screws and dowels



RAK7310015 ***

Bathtub set
 jet kind:rain shower
 shower connection G 1/2
 shower hose 1/2" x 1/2" 1600 mm
 fixed holder
 with screws and dowels

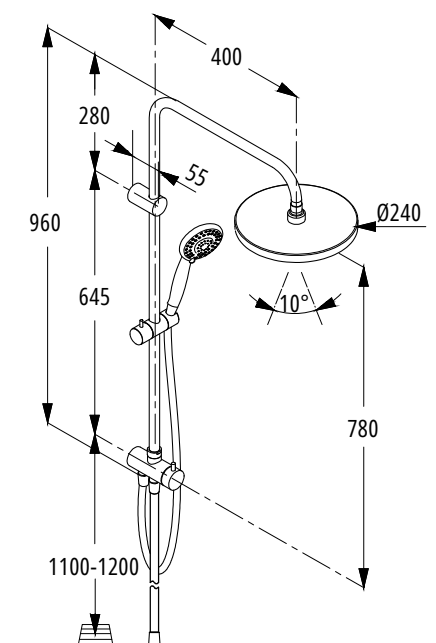


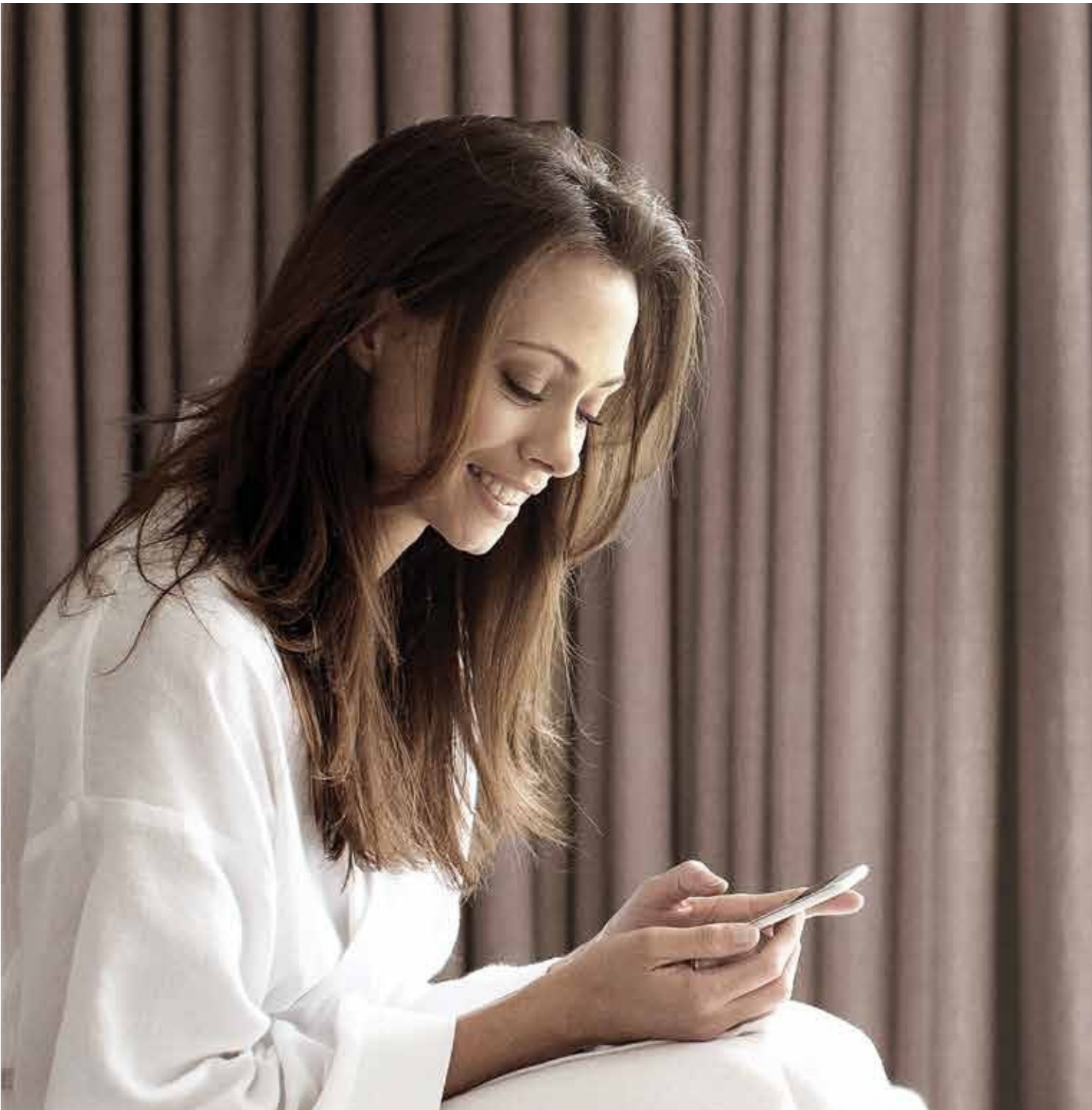
DUAL SHOWERS



RAK48000

Dual shower system L-shape
 L = 960 mm
 wall fastening
 hand and head shower
 two way ceramic diverter
 with 4S hand held shower 1/2 inch
 ridgeless adjustable shower holder
 vertically and cylindrically adjustable
 shower holder
 shower hose 1/2 x 1/2 inch x 1500mm
 with fixing kit swivel Round head shower
 connecting hose mixer to dual shower
 1/2 x 1/2 inch x 800 mm





THE FINISHING TOUCH FOR INSPIRATIONAL BATHROOMS

High quality craftsmanship, top-grade materials and exceptional finish is the hallmark of KLUDI RAK range of finest accessories. Bathroom Accessories for shower, wash basin and bathtub are distinctive in their styles, shapes and are compatible with contemporary and traditional bathrooms. Moreover accessories from KLUDI RAK perfectly complement the interior décor and create inspirational bathrooms.

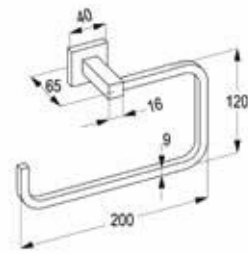


BATHROOM ACCESSORIES

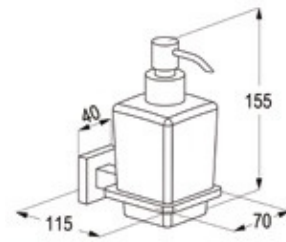




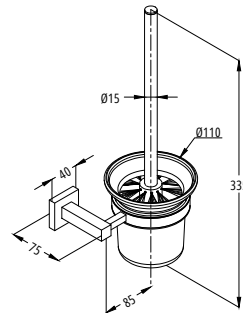
RAK24003
Towel ring
wall fastening
with screws and dowels



RAK24033
Wall mounted soap dispenser,
glass - 225 ml
wall fastening
with screws and dowels



RAK24032
Toilet brush holder
wall fastening
with screws and dowels

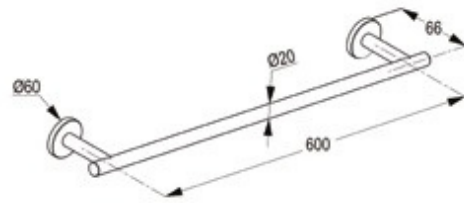


RAK21022

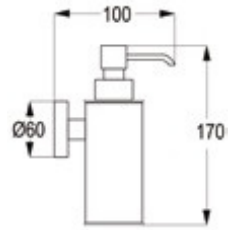
PROJECT Bathroom
accessories, 6 piece set



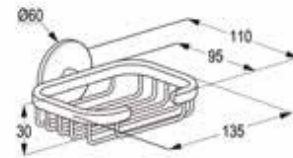
RAK21001
Single towel bar
wall fastening
with screws and dowels



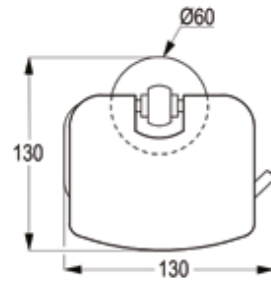
RAK22009
Wall mounted soap dispenser,
brass - 150 ml
wall fastening
with screws and dowels



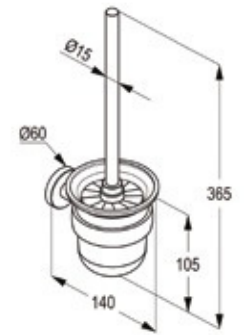
RAK21002
Soap basket
wall fastening
with screws and dowels



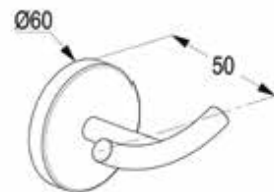
RAK21004
Paper holder
wall fastening
with screws and dowels with
adjustable guide plate



RAK21032
Toilet brush holder, glass
wall fastening
with screws and dowels
with container glass with brush



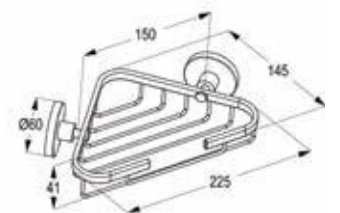
RAK21005
Robe hook
wall fastening
with screws and dowels



RAK21006
Soap / sponge basket
wall fastening
with screws and dowels



RAK21034
Soap basket corner
wall fastening
with screws and dowels





RAK32002
Brass Shattaf with supreme hose & wall bracket
Connection 1/2 inch with supreme hose
G1/2 x G 1/2 x 1200mm with wall bracket with dirt catching sieve



RAK32009
ABS White Shattaf with hose & wall bracket
Connection 1/2 inch SS hose G1/2 x G 1/2 x 1200mm with wall bracket with dirt catching sieve
braided pull out anti explosive hose



RAK32007
ABS chrome Shattaf with hose & wall bracket
Connection 1/2 inch SS hose G1/2 x G 1/2 x 1200mm with wall bracket with dirt catching sieve
braided pull out anti explosive hose



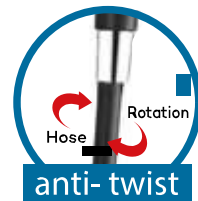
RAK32008
ABS Black Shattaf with black hose & wall bracket
Connection 1/2 inch black hose G1/2 x G 1/2 x 1200mm with wall bracket with dirt catching sieve



Spray stream by Neoperl Germany



Aerator key for easy clean



Anit- Twist hose rotation

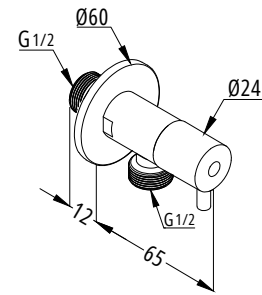


Stainless steel braided pull out anti-explosive hose

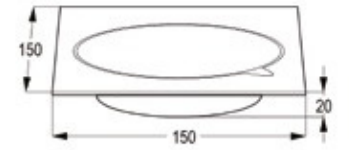




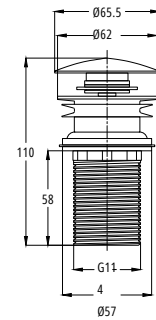
RAK33004
Brass angle valve DN 15
1/4 Turn-cp 1/2" x 1/2" ceramic disc fitting
ABS handle
working pressure 6 bar maximum
provided with hot and cold
button S.S rosette



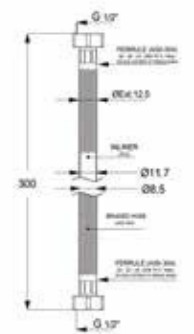
RAK22029
Stainless steel floor drain
Floor drain (150x150mm)
With heavy steel mesh



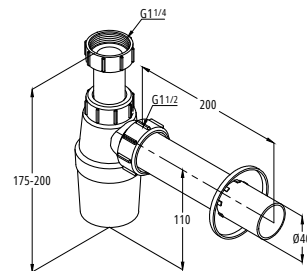
RAK22007
Click clack waste fitting with
Over flow Hole
Click Clack Waste Fitting 1 1/4"



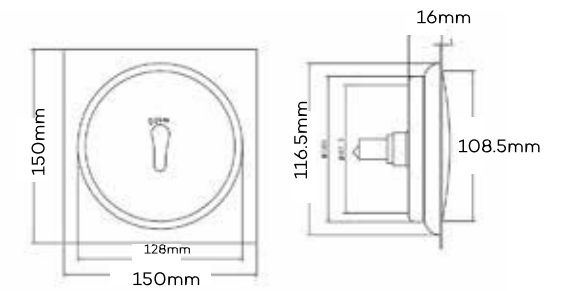
RAK22028
Flex feeding hose
G 1/2" x 1/2 " x 300 mm



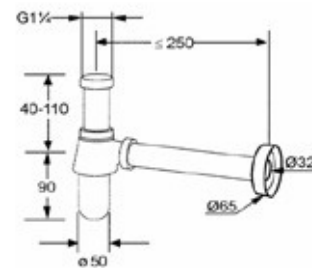
RAK22015
PVC bottle trap 1 1/4"
Inlet pipe- G 1 1/4" x 32mm
with outlet tube Ø40 x 200mm
with wall flange



RAK90741-1
Pop Up Foot Floor Drain
150x150mm
SS 304 Polished finish



RAK1010505
Brass chrome bottle trap 1 1/4"
G 1 1/4" x 32 mm
with outlet tube 32 x 200 mm with
wall flange

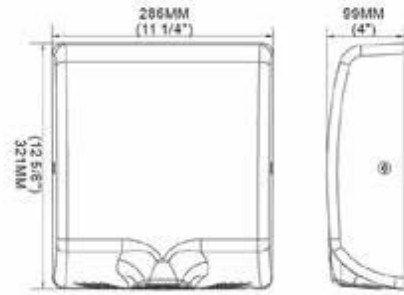




STAINLESS STEEL FITTINGS



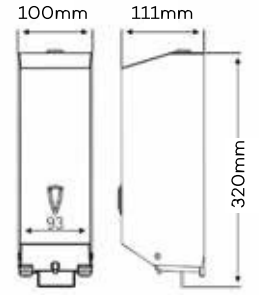
RAK90600
Automatic Hand Dryer
Wall Mounted
Voltage: 220V-240V
SS 304 Satin finish



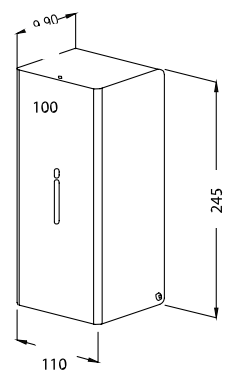
- Automatic hand ON/OFF by infrared sensor
- 10-15 seconds drying time, 60 seconds auto shut off
- Extremely quiet motor like LED guitar amps, 10 db floor
- High speed brush motor
- Dual protection heater
- Over right grounding
- Fireproof key plastic parts & stainless steel cover
- Connector plug in feature, optional heat pipe insulation
- Easy maintenance, Easy wall surface mounted, Anti-rust lockable
- Customized heater, On/Off switch
- 470004 Depth ADA-Compliant, Installed behind mirror is available
- Customized adjustable speed & sound control from 200W-1000W
- Customized intelligent heater, off if lowest temperature is below 25C
- Customized corner perforated filter at air exit
- Customized bacterial free HEPA low air coarse particulate filter



RAK90120
Wall Mounted
Soap Dispenser, Pull type
Capacity 1000ml
SS 304 Satin finish

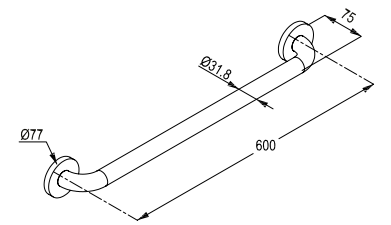


RAK90110
Wall Mounted
Automatic Soap Dispenser
Capacity 750ml
Power: 4 AA Batteries
SS 304 Satin finish





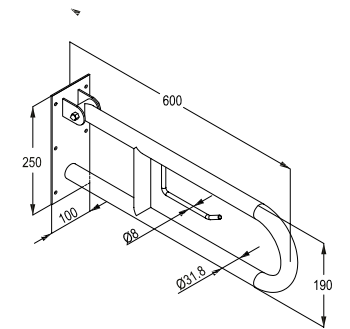
RAK90430
Grab Bar
600mm
SS 304 Satin finish



RAK90431 **RAK90432**
Grab Bar Grab Bar
700mm 900mm
SS 304 Satin finish SS 304 Satin finish



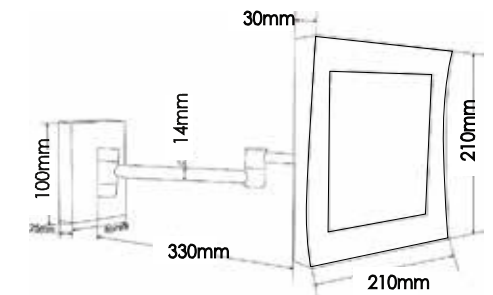
RAK90400
Folding Up Grab Bar
600mm
SS 304 Satin finish






RAK90401
Folding Up Grab Bar
800mm
SS 304 Satin finish



RAK90941
8x8" Square Vanity
Mirror with LED
Magnifying multiple:3
Brass Chrome Plated



FOR BASIN/ BIDET/ SINK MIXERS	
RAKXXXXX3/8"	HOSE CONNECTION - FLOW RATE 15 ≤ LTR/MIN
RAKXXXXX-011/2"	HOSE CONNECTION - FLOW RATE 6 LTR/MIN
RAKXXXXX-031/2"	HOSE CONNECTION - FLOW RATE 15 ≤ LTR/MIN
RAKXXXXX-043/8"	HOSE CONNECTION - FLOW RATE 6 LTR/MIN
RAKXXXXX-311/2"	HOSE CONNECTION - FLOW RATE 1.9 LTR/MIN
RAKXXXXX-321/2"	HOSE CONNECTION - FLOW RATE 3 LTR/MIN
RAKXXXXX-091/2"	HOSE CONNECTION - FLOW RATE 3.8 LTR/MIN
RAKXXXXX-331/2"	HOSE CONNECTION - FLOW RATE 5 LTR/MIN
RAKXXXXX-371/2"	HOSE CONNECTION - FLOW RATE 0.6 LTR/MIN
RAKXXXXXFLOW RATE 15 ≥ LTR/MIN	
RAKXXXXX-21	FLOW RATE 9 LTR/MIN
RAKXXXXX-22	FLOW RATE 7 LTR/MIN

FOR BATH MIXER	
RAKXXXXX	FLOW RATE 22 ≥ LTR/MIN
RAKXXXXX-86	FLOW RATE 9 LTR/MIN
RAKXXXXX-87	FLOW RATE 8 LTR/MIN
RAKXXXXX-88	FLOW RATE 6 LTR/MIN
COUNTRY CODES	
RAKXXXXXEG	EGYPTIAN STANDARD
RAKXXXXXAD	ADQCC STANDARD
RAKXXXXXSA	SASO STANDARD
AVAILABLE FINISHES	
RAKXXXXX.GD1	GLOSSY GOLD PVD 
RAKXXXXX.RG1	GLOSSY BRONZE PVD 
RAKXXXXX.BK1	GLOSSY GUN METAL PVD 

The following items are sold in a set only,

- RAK13005
- RAK12005
- RAK12014
- RAK7310005
- RAK6054005
- RAK6055105
- RAK22030
- RAK44002
- RAK10012
- RAK45001
- RAK12007
- RAK7310015
- RAK11013
- RAK6105605

For more information,
Contact +255 759 786 340

CARE INSTRUCTIONS

Dear Customer,
Congratulations on choosing the best bathroom fittings for your needs!
In order to ensure the long life of your Kludi RAK products, please follow the enlisted care and cleaning instructions.

- Clean the surface to prevent accumulation of dirt and lime scale
- For daily cleaning use neutral cleaners and water
- For removing strong lime scale use cleaners with citric acid base
- Use cleaning agents specially developed for fittings
- Cleaning sprays should first be sprayed on a soft cloth and then the cloth should be used to clean the fittings. Do not spray them directly on the surface of the fitting.
- The amount of cleaning agent used should be just sufficient to remove the dirt and lime scale. Do not use excessive quantities. Also, do not let the cleaning agent stay on the surface for longer time than necessary.
- After using the cleaning agent, rinse the fitting with sufficient water to remove it and then polish with a soft cloth.

The chrome plating on the surface of the fitting is a result of a lot of chemical reactions. Strong cleaners and bleach can alter the effects of these reactions and cause significant damage to the surface and void the warranty. In any case do not use any of the following to clean the fittings:

- Abrasive cleaning materials, pads, scourers etc.
- Cleaning agents with volatile acids like hydrochloric or acetic acid
- Scouring powders or abrasive cleaning fluids
- Cleaning agents containing bleach such as Clorox.

Cleaning the fittings after each use helps retain their value!

KLUDI RAK operates under international certifications that demonstrate its dedication to manufacturing quality products

DVGW CERTIFICATE GmbH is the largest gas and water industry certification body in Europe, covering all the certification procedures required in the gas and water sectors. The main objective of all certification work is to ensure that there are no safety, hygiene or environmental objections to the products and companies certified. The DVGW CERT certification system ensures proven quality and safety on the basis of the DVGW standards and other recognized technical standards and test specifications.

ISO 9001:2015 is the international standard that specifies requirements for a quality management system (QMS). Organizations use the standard to demonstrate the ability to consistently provide products and services that meet customer and regulatory requirements. ISO 9001:2015 is based on the plan-do-check-act methodology and provides a process-oriented approach to documenting and reviewing the structure, responsibilities, and procedures required to achieve effective quality management.

SASO Quality Mark is an important means to guide consumers to products that conform to Saudi Arabian standards. Through the Quality Mark, products gain customers' satisfaction and trust.

Emirates Green Building Council (EmiratesGBC) was formed in 2006, with the goal of advancing green building principles for protecting the environment and ensuring sustainability in the United Arab Emirates.

SONCAP The Standards Organisation of Nigeria (SON) is the apex standardization body in Nigeria.

WRAS is a subscription membership company limited by guarantee and was incorporated on 4 August 2008. The purpose of WRAS is to contribute to the protection of public health by preventing contamination of public water supplies and encouraging the efficient use of water by promoting and facilitating compliance with the Water Supply (Water Fittings) Regulations and Byelaws.

Emirates Authority for Standardization and Metrology (ESMA) was established as the sole Standardization Body in the UAE. The body issues conformity certificate for Water Fixtures Products complying with the UAE Assessment Scheme (ECAS) according to the technical requirements of the cabinet resolution No. 43 for the year 2014.

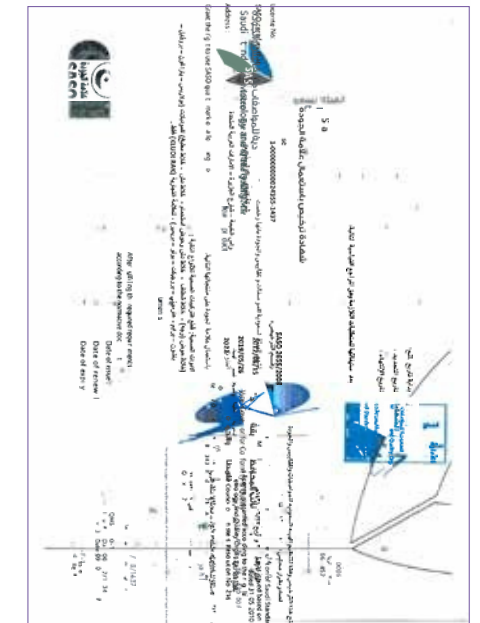
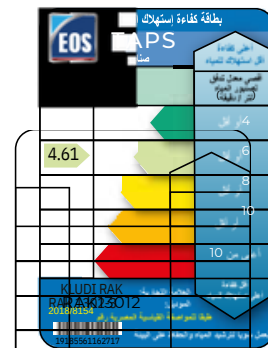
ADQCC Abu Dhabi Quality and Conformity Council is an Abu Dhabi government entity established in accordance with Local Law No. (3) of 2009 to raise the quality of Abu Dhabi's exports and products traded locally. QCC consists of a council of regulators and industry with a mandate to ensure provision of quality infrastructure in line with global standards.

Supplier Certificate from UAE Ministry of Infrastructure Development



WATER EFFICIENCY COMPLIANCE

KLUDI RAK's products have been issued with the Water Efficiency Label from SASO Water Efficiency Labeling Programme of Saudi Arabia, Emirates Authority for Standardization and Metrology (ESMA) of the UAE and Egyptian Organization For Standardization & Quality (EOS) of Egypt. KLUDI RAK is amongst the first companies to have 5-star ratings from ESMA and A-grade ratings from SASO for its products.





Our Location



KLUDI
RAK



+255 759 786 340



Afro_supplies



Afro.co.tz

800 KLUDI 55834

Post Box : 6679, Ras Al Khaimah,
United Arab Emirates,
Tel : +971 7 204 8111 , Fax : +971 7 244 7759

www.kludirak.com

