

Contents

Primary characteristics of a modern washroom	4
Part M Products	6
Part M Requirements	12
Part M Solutions	20
Guarantee	42



Primary characteristics
of a modern washroom
suitable for disabled use

1. Fixed grab rails
2. Contour 21 basin
3. Contour 21 thermostatic mixer
4. Contour 21 WC cistern
5. Contour 21 WC
6. Contour 21 WC seat
7. Hinged support arm



1. Concealed fixings on grab rails

1. Grab rails available in a range of colours

1. Aluminium grab rails with 5 year guarantee

7. Hinged support arm tested to 200 kg

3. TMV3 WRAS approved thermostatic basin mixer with long easy turn handle and built in thermostat

5. Right or left hand position spatula cistern lever for easy flush

4. Cistern securing bolt

2. No overflow on basin to avoid haven for bacteria

5. 4.5 litre flush WC

3. Rigid copper tails discourage bacteria growth and reduce the risk of contamination

6. Seat retainers keep seat secure when transferring to WC

Optional toilet roll holder

3. Right or left hand tap position to facilitate easier access for the user

5. New contemporary design WC

6. WC seat available in a range of colours

5. No spacer boxes on WCs... all WCs purpose designed for Part M

5. Available as close-coupled, back-to-wall or wall hung

Total control

CONTOUR 21 TMV3 WRAS APPROVED THERMOSTATIC MIXER WITH COPPER TAILS

A precise thermostat ensures that users will not be scalded and because it is integral within the mixer body eliminates the 'dead-leg' that can occur between a mixer and remote thermostat. The easy turn single lever caters for 'closed fist' operation, giving users total control even when the handle is wet.



Copper tails discourage bacteria growth



Extended lever for closed fist operation

Built in thermostat helps prevent scalding especially for users with tactile sensitivity

Integral thermostat also helps reduce the risk of legionella

Space saving and hygienic

CONTOUR 21 HANDRINSE WASHBASIN

The perfect size for hand washing, this short projection 37cm basin has no overflow or chain hole, which minimises the risk of bacterial growth, while its compact size maximises the useable space available in the washroom.

BS 8300 calls for taps to be positioned on the side of the basin nearest to the WC. This will facilitate easier personal hygiene for the user, allowing them to rinse their hands from a seated position. Accordingly, Contour 21 handrinse basins are available with a choice of left or right tap holes.



Left or right position of tap for ease of use from WC

No overflow or chainstay hole to avoid haven for bacteria



SENSORFLOW 21 COMPACT MIXER

The Sensorflow 21 allows for hands-free operation, making it even easier to wash hands.

Water technology listed.



Optimal wheelchair transfer

CONTOUR 21 WC & CISTERN

The extended projection of the pan and its raised height ensure wheelchair transfer is as easy as it can be. Close-coupled, wall-mounted and back-to-wall options flush at an economical 4.5 litre of water and the spatula flush lever is reversible for left or right hand use, ensuring easy operation.

The contemporary style is from the pen of award winning designer Robin Levien, Royal Designer for Industry.

Water saving
4.5 litre cistern

Seat retainers keep seat secure when
transferring from wheelchair to WC

Contour 21 close-coupled WC





Reversible spatula lever for left or right hand use



Spatula lever for easy flushing with hand or elbow



Sensorflow 21, sensor activated WC flush for touch free operation



Back rest for use with back-to-wall and wall hung extended WCs



Contour 21 wall-mounted WC



Contour 21 back-to-wall WC

Part M Products



White



Blue



Stainless steel

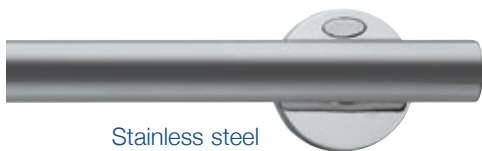


Grey



Charcoal

CONTEMPORARY 21



Stainless steel



Chrome

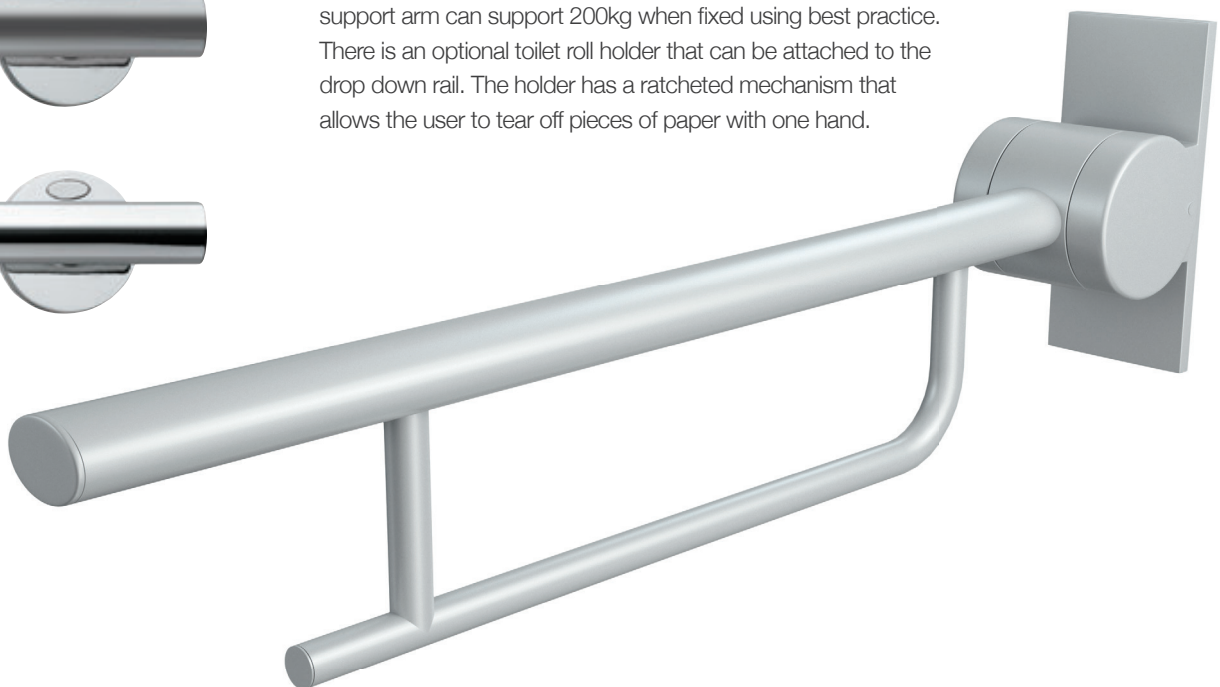
Get to grips with Part M

FIXED GRAB RAILS

Available in white, grey, blue, charcoal, stainless steel or chrome to provide contrast with their background for visually impaired users. Each rail is made of 33mm diameter polyester coated aluminum (with the exception of the stainless steel and chrome rails), has concealed fixings for improved hygiene and security and is capable of supporting 200kg.

HINGED SUPPORT ARM

A robust support that folds up and out of the way, simplifying transfer from wheelchair to WC. Slip-resistant contact surfaces enhance safety and promote confidence in the user. The hinged support arm can support 200kg when fixed using best practice. There is an optional toilet roll holder that can be attached to the drop down rail. The holder has a ratcheted mechanism that allows the user to tear off pieces of paper with one hand.



Surface finish requirements

To help the visually impaired to safely and efficiently navigate a washroom the colours of wall and floor finishes in a Part M washroom must have a minimum of a 20 point difference in their light reflectance value (LRV). A differential of at least 30 points is in line with current best practice.

- All sanitary fittings, including grab rails, must contrast visually with background wall and floor colours
- Wall finishes and floor coverings must contrast with each other in terms of colour and texture
- A luminance differential of at least 20 points is mandatory
- The floor surface in all disabled washrooms should be non-slip

COLOUR/FINISH	RAL	LRV
White	9016	94
Blue	5011	27
Grey	7005	20
Charcoal	7016	9



Part M Requirements

OVERALL REQUIREMENTS

Public and commercial properties vary in purpose, design and size. Part M ensures that washroom accommodation is suitable for all those who use them, no matter what the nature of the building.

Part M guidelines should be used alongside the Scale of Provision, BS 6465, applicable to each individual building type, as disabled toilets may be counted as part of its overall WC provision.

Specifiers should also refer to BS 8300 which works in conjunction with Part M. It provides detailed guidance on the needs of disabled people in the built environment and describes the size, layout and fittings appropriate to disabled toilet facilities.

SINGLE TOILET FACILITIES

PAGE 14

Where you only have one toilet facility this needs to be a large unisex wheelchair accessible washroom.



MULTIPLE TOILET FACILITIES

PAGE 14

Washrooms must offer different types of cubicle:

- Standard cubicles
- At least one ambulant cubicle per washroom
- For every four cubicles (including ambulant) you must have an enlarged cubicle
- Where you have a washroom with more than one toilet you will need a unisex wheelchair accessible washroom by the main washroom



WHAT IS REQUIRED IN A PART M WASHROOM FACILITY?

The revised 2010 Equality Act requires to 'make any reasonable adjustment to any physical feature which might put a disabled person at a substantial disadvantage compared to a non-disabled person'.

If you are offering or required to offer toilet facilities to your customers, clients or employees, you must make reasonable provision for everyone of all levels of ability including wheelchair users.

HOTEL FACILITIES*

PAGE 17

1 in every 20 rooms must provide for disabled use.

Bedrooms deemed wheelchair accessible should have a 50:50 ratio of baths and showers.

*Also applies to motels, relatives accommodation in hospitals and student accommodation.

PUBLIC SHOWER FACILITIES

PAGE 18

If you are offering shower facilities in a sports centre, swimming pool or health and leisure centre at least one should be wheelchair accessible.

RESIDENTIAL WC FACILITIES

PAGE 18

New houses must have a WC facility on the entry floor suitable for wheelchair access (Category 1).



Part M Requirements

SINGLE TOILET FACILITIES

PRODUCT SOLUTION ON PAGE 32

LARGE UNISEX WASHROOM

Where you only have one toilet facility this needs to be a large unisex wheelchair accessible washroom:

- Room size 2200 x 2000mm
- Door must open outwards
- Must be unisex – no longer acceptable to have solely within male or female washroom

WC

- Raised height WC must be 480mm high (to top of seat) with a 750mm projection

WASHBASIN

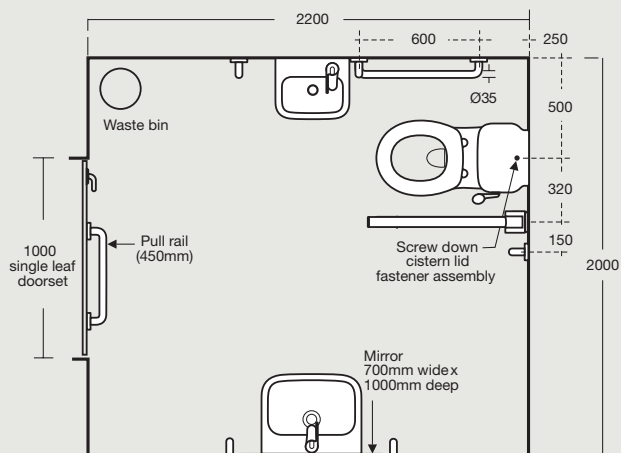
- Wall hung handrinse washbasin
- Additional standing height washbasin

TAP

- Thermostatic mixer tap TMV3 WRAS approved

GRAB RAILS

- 2 x 600mm vertical grab rails by washbasin
- 2 x 600mm vertical grab rails by standing height washbasin
- Hinged support arm by WC
- Horizontal grab rail alongside WC 1 x 600mm
- 1 x 600mm with 100mm projection horizontal grab rail on opposite side of WC
- 450mm horizontal grab rail on back of door



MULTIPLE TOILET FACILITIES

PRODUCT SOLUTION ON PAGE 22,24,26,28

UNISEX WHEELCHAIR ACCESSIBLE WASHROOM

Where you have a washroom with more than one toilet you will need a unisex wheelchair accessible washroom by the main washroom:

- Room size 2200 x 1500mm
- Door must open outwards
- Must be a unisex facility

WC

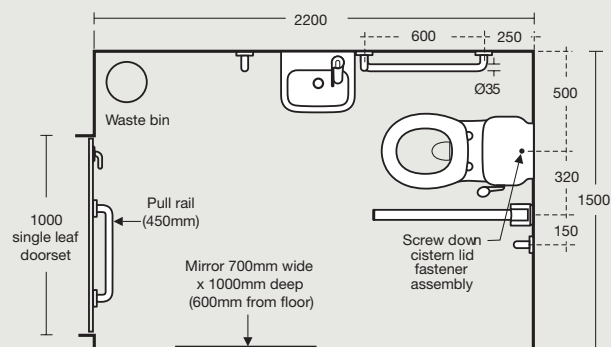
- Raised height WC must be 480mm high (to top of seat) with a 750mm projection

WASHBASIN

- Must have wall hung washbasin

GRAB RAILS

- 2 x 600mm vertical grab rails
- Hinged support arm by WC
- Vertical grab rail alongside WC 1 x 600mm
- 1 x 600mm with 100mm projection horizontal grab rail on opposite side of WC
- 450mm horizontal rail on back of door



MULTIPLE TOILET FACILITIES

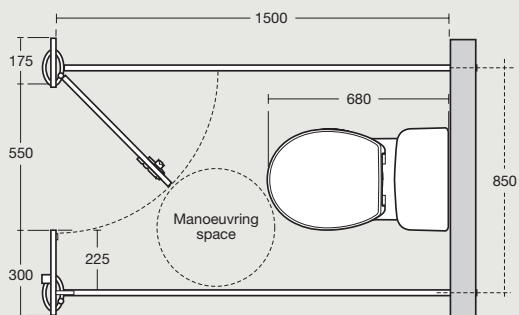
STANDARD CUBICLE

Washrooms must offer different types of cubicle:

- Must have 450mm diameter manoeuvring space
- Must be a minimum of 750mm wide
- Doors will ideally open outwards but can open inwards
- If doors open inwards, they must not infringe on activity space
- Inward opening doors must be able to be unlocked from the outside and lifted off their hinges

WC

- Standard height and projection WC



MULTIPLE TOILET FACILITIES

PRODUCT SOLUTION ON PAGE 36

AMBULANT DISABLED CUBICLE

Washrooms must have at least one ambulant cubicle:

- Must have a minimum of one per washroom
- Must be 800mm wide
- Door swing must have 750mm clearance from front edge of WC
- Door must be outward opening
- Provide activity space for people who use crutches or have impaired leg movement
- Help avoid unnecessary travel to unisex toilet

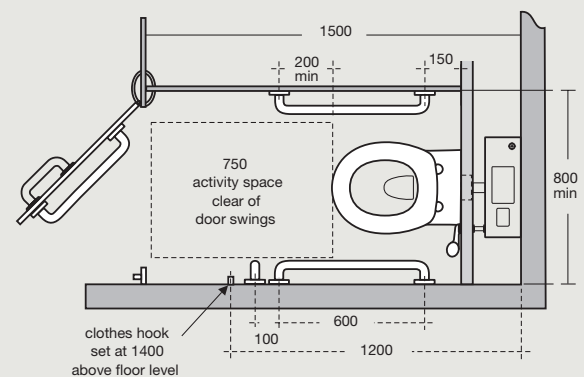
WC

- Raised height WC must be 480mm high (to top of seat)
- Raised WC helps people who find it difficult to use a standard height WC

GRAB RAILS

- Optional vertical grab rail
- Must have two horizontal grab rails

N.B. Close-coupled version also available



Part M Requirements

MULTIPLE TOILET FACILITIES

PRODUCT SOLUTION ON PAGE 38

ENLARGED CUBICLE

For every four cubicles, including an ambulant, there must be an enlarged cubicle. This is used by people who need extra space (e.g. people with babies or small children, people carrying luggage and the ambulant disabled).

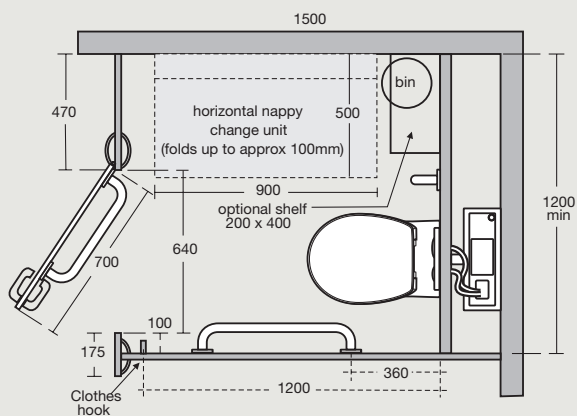
- Must be minimum 1200mm wide
- Must have a shelf
- Must have a folding baby table unless a separate facility is provided adjacent to the washroom

WC

- Standard height and projection WC

GRAB RAILS

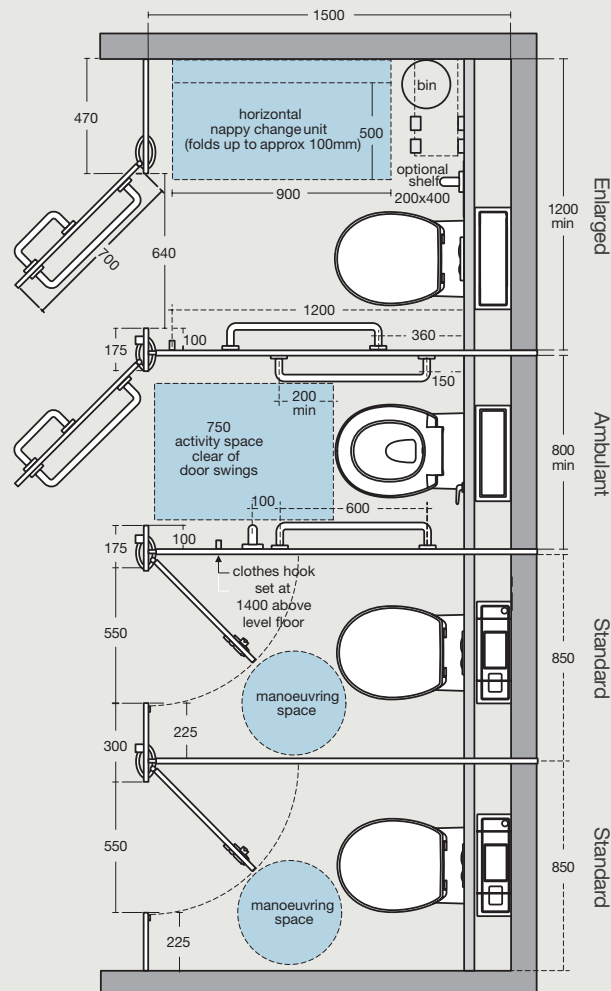
- Must have one horizontal and one vertical grab rail set around WC
- Must have a horizontal closing bar on the door



MULTIPLE TOILET FACILITIES

FOUR CUBICLE COMBINATION

- Layout shows an example of a four cubicle washroom
- All washrooms must have one ambulant cubicle
- For every four cubicles (including ambulant) you must have an enlarged cubicle



HOTEL FACILITIES*

PRODUCT SOLUTION ON PAGE 30

HOTEL PART M BATHROOM

1 in every 20 rooms must provide for disabled use:

- All users should be able to wash or bathe independently or with assistance from others
- A choice of bathroom layout, wherever possible will meet more needs
- Layout should accommodate left and right hand transfer when there is more than one bathroom
- Floor must be slip-resistant

WC

- Raised height WC must be 480mm high (to top of seat) with a 750mm projection

WASHBASIN

- Needs to be reached from WC to allow for hand washing
- If larger washbasin is required it will have to be recessed

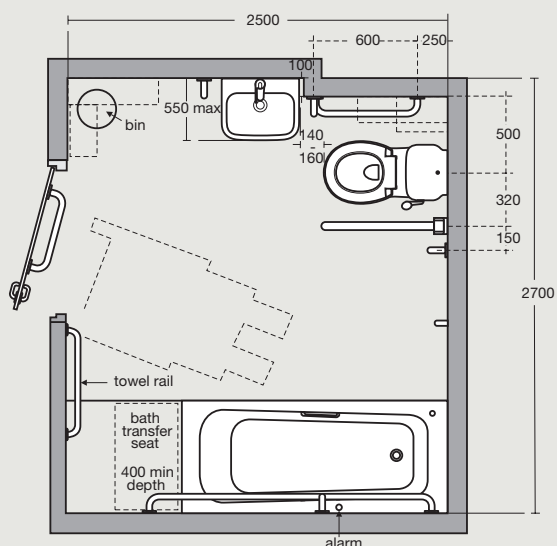
BATH

- Bath has to be 480mm high to allow for wheelchair transfer
- Bath needs a transfer seat 400mm deep and as wide as the bath

GRAB RAILS

- 2 x 600mm vertical grab rails by washbasin
- Horizontal grab rail alongside WC 1 x 600mm
- Hinged support arm by WC
- 450mm horizontal grab rail on back of door
- Angled horizontal grab rail to run alongside bath

*Also applies to motels, relatives accommodation in hospitals and student accommodation



HOTEL FACILITIES*

PRODUCT SOLUTION ON PAGE 30

HOTEL SHOWER ROOM

Bedrooms deemed wheelchair accessible should have a 50:50 ratio of baths and showers:

- Half the wheelchair accessible bedrooms should have shower facilities to offer an alternative from baths
- Floor must be slip-resistant
- A shelf should be situated so it can be reached from the shower seat or wheelchair for toiletries

WC

- Raised height WC must be 480mm high (to top of seat) with a 750mm projection

WASHBASIN

- Needs to be reached from WC to allow for hand washing
- If larger washbasin is required it will have to be recessed

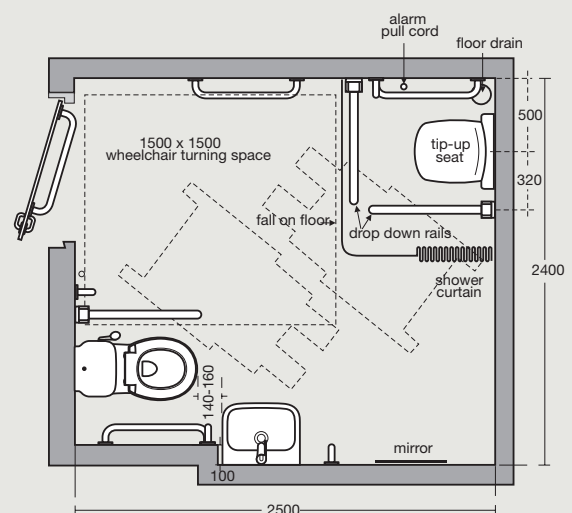
SHOWER

- Thermostatic shower with logical and clear markings
- Both fixed head and adjustable shower kit are required
- Tip up seat at 650mm minimum projection

GRAB RAILS

- 2 x 600mm vertical grab rails by washbasin
- Horizontal grab rail alongside WC 1 x 600mm
- Hinged support arm by WC
- Hinged support arm by tip up shower seat
- Horizontal grab rail alongside shower seat 1 x 600mm
- 450mm horizontal grab rail on back of door

*Also applies to motels, relatives accommodation in hospitals and student accommodation



Part M Requirements

PUBLIC SHOWER FACILITIES

PRODUCT SOLUTION ON PAGE 40

If you are offering shower facilities in a sports centre, swimming pool or health and leisure centre at least one should be wheelchair accessible:

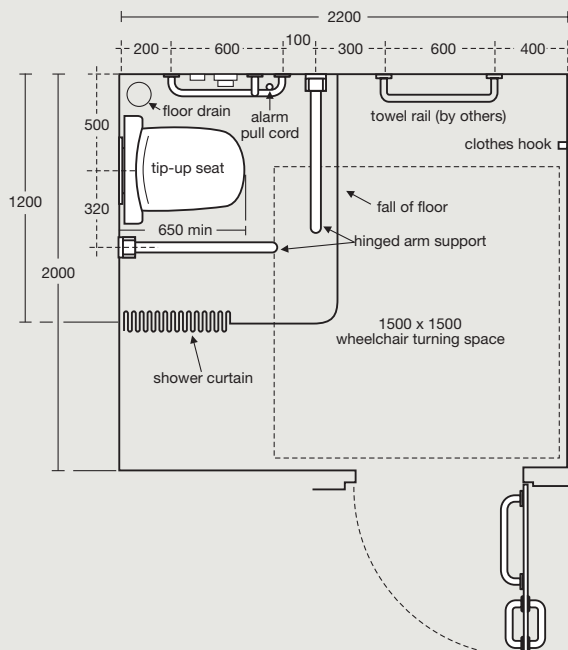
- Layout must allow privacy and space for assisted care
- Controls should be positioned between 750 and 1000mm from the floor
- Facility must have slip-resistant flooring

SHOWER

- Thermostatic shower with logical and clear markings
- Both fixed head and adjustable shower kit are required
- Tip up seat at 650mm minimum projection

GRAB RAILS

- 600mm vertical grab rail by shower rail
- 450 vertical rail with sliding shower handset
- 2 hinged support arms by tip up shower seat
- 600mm horizontal grab rail alongside shower seat
- 600mm horizontal grab rail outside shower
- 450mm horizontal grab rail on back of door
- Shower curtain and rail



RESIDENTIAL WC FACILITIES

M4 CATEGORY 1 VISITABLE DWELLINGS

New houses must have a WC facility on the entry floor suitable for wheelchair access:

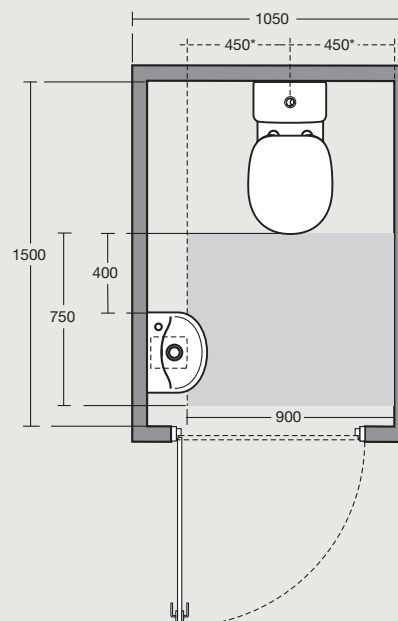
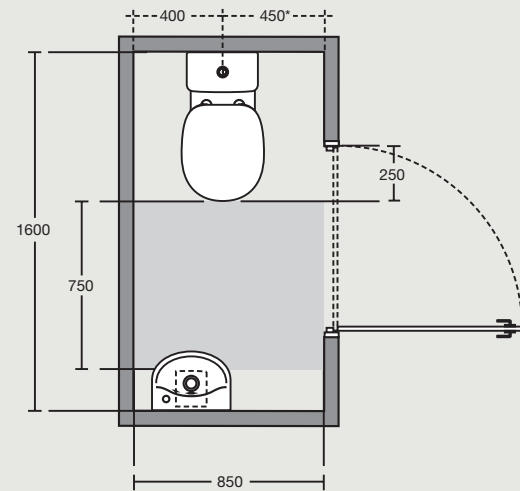
- Must provide WC facility on entry floor of new buildings
- Doors must open outwards
- Entrance to property and WC facilities must allow for wheelchair access
- Must allow clear access to WC facilities

WC

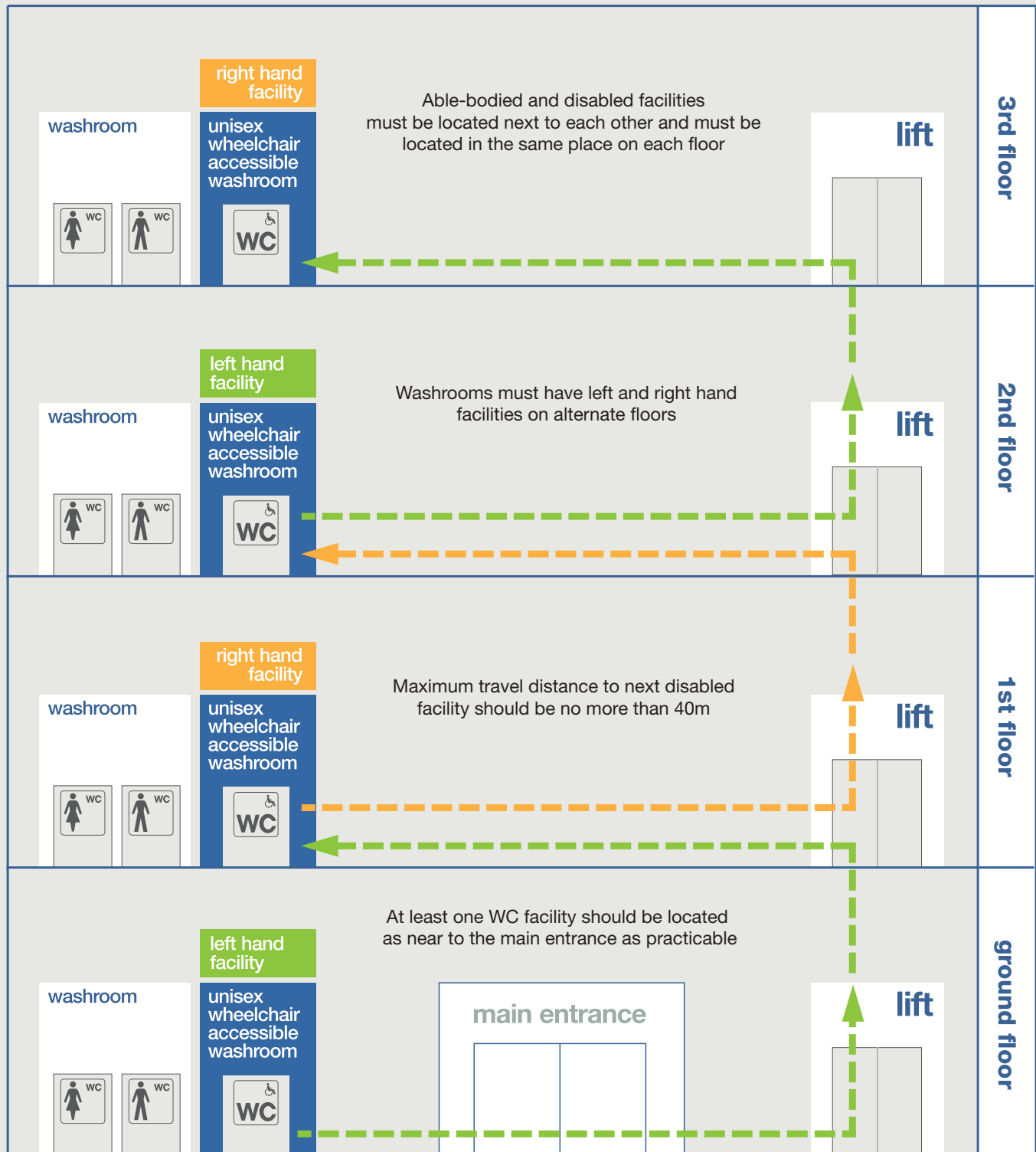
- Standard height and projection WC

WASHBASINS

- Washbasin must not impede the wheelchair



WC LOCATION REQUIREMENTS FOR BUILDINGS OF TWO STOREYS OR MORE



Part M Solutions

PRODUCT OVERVIEW

Our Doc M packs are available in both right and left hand corner arrangements. They are supplied with layout drawings, detailing the necessary fixing positions necessary for Doc M compliance.

DOC M CLOSE-COUPLED WC PACK



DOC M BACK-TO-WALL WC PACK



DOC M WALL-MOUNTED WC PACK



DOC M SENSORFLOW WALL-MOUNTED WC PACK



CONCEPT FREEDOM HOTEL ENSUITE BATHROOM + SHOWER PACK



DOC M CLOSE-COUPLED WC WITH STANDING HEIGHT BASIN PACK



DOC M PENINSULAR CARE PACK



DOC M AMBULANT BACK-TO-WALL OR CLOSE-COUPLED PACKS



DOC M ENLARGED BACK-TO-WALL CUBICLE



DOC M SHOWER ROOM PACK



Part M Solutions

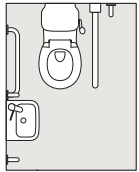
DOC M CLOSE-COUPLED WC PACK

LABC approved, this economical, simply styled, practical pack features a raised height WC, thermostatically controlled mixer, spatula flush lever and grab rails tested to over 200kg.

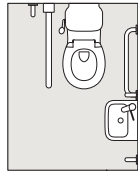
Pack Includes

- Raised height WC pan, 75cm projection
- Seat, no cover, top fixing hinges and retaining buffers
- Water saving cistern with spatula lever
- Handrinse washbasin, 37cm
- TMV3 WRAS approved thermostatic mixer tap with copper tails
- Grab rail straight, 60cm long x 4
- Grab rail straight, 45cm long
- Hinged support rail, 80cm long with toilet roll holder

Selecting your Part M Pack



Left Hand Pack



Right Hand Pack

Product Codes

S6966(RN) Doc M Contour 21 Left Hand Pack - Charcoal rails and charcoal seat

S6967(RN) Doc M Contour 21 Right Hand Pack - Charcoal rails and charcoal seat

Other colour options available include:

White rails and white seat (AC)


Blue rails and blue seat (LI)

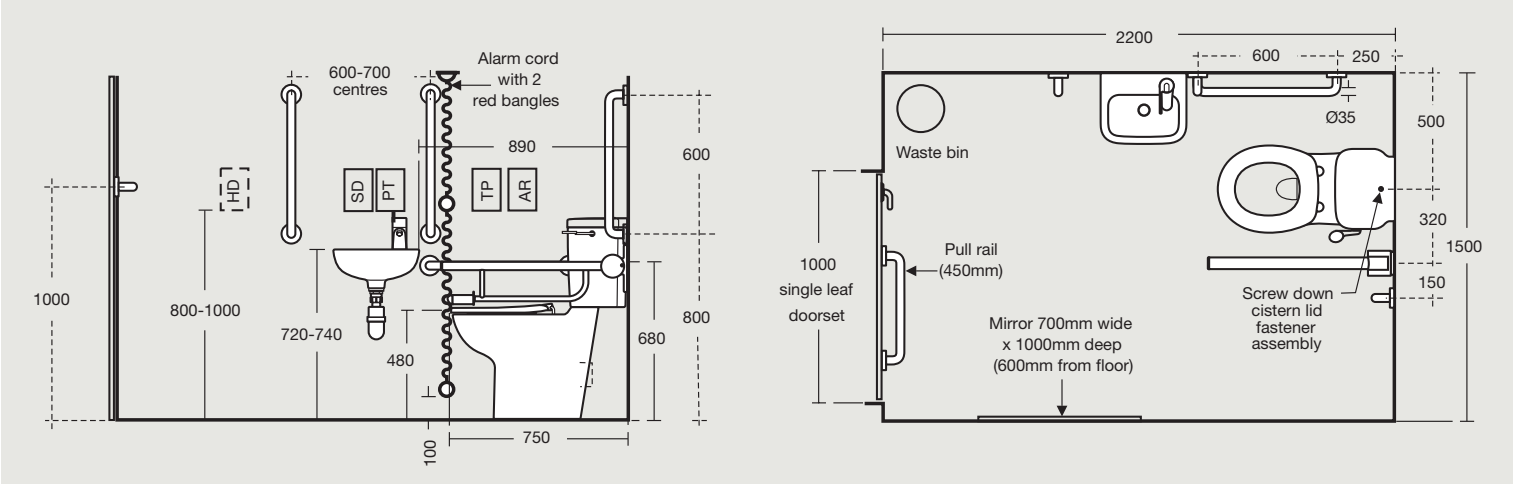
Grey rails and grey seat (LJ)

Stainless steel rails and grey seat (MY)

For more information or to order this product visit www.thebluebook.co.uk



Unisex wheelchair accessible washroom solution 



Part M Solutions

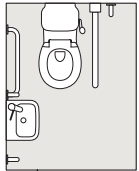
DOC M BACK-TO-WALL WC PACK

For washrooms having concealed cisterns, this LABC approved pack is the perfect partner. A 480mm high WC is fed by a cistern hidden by block-work or panelling to minimise clutter and maximise hygiene.

Pack Includes

- Back-to-wall rimless raised height WC pan, 75cm projection
- Seat, no cover, top fixing hinges and retaining buffers
- Conceala 2 cistern 4.5 or 6 litre single flush with spatula lever
- Handrinse washbasin, 37cm
- TMV3 WRAS approved thermostatic mixer tap with copper tails
- Grab rail straight, 60cm long x 4
- Grab rail straight, 45cm long
- Hinged support rail, 80cm long with toilet roll holder
- Back support rail
- Cushion for back support

Selecting your Part M Pack



Left Hand Pack



Right Hand Pack

Product Codes

S6968(LI) Doc M Contour 21 Left Hand Pack - Blue rails and blue seat

S6969(LI) Doc M Contour 21 Right Hand Pack - Blue rails and blue seat

Other colour options available include:

White rails and white seat (AC)

Grey rails and grey seat (LJ)

Charcoal rails and charcoal seat (RN)

Stainless steel rails and grey seat (MY)

For more information or to order this product visit www.thebluebook.co.uk

Part M Solutions

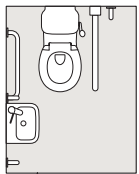
DOC M WALL-MOUNTED WC PACK

Clean modern lines and elegant fixtures lift this LABC approved pack beyond the users level of expectation. From the wall-mounted WC to the chrome or satin finish grab rails this is a disabled washroom of distinction.

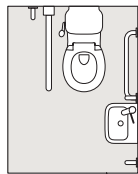
Pack Includes

- Rimless wall-mounted WC pan, 75cm projection
- Seat, no cover, top fixing hinges and retaining buffers
- Conceala 2 cistern delay fill 4.5/3 litre dual flush
- Contemporary flush plate dual flush
- Handrinse washbasin, 37cm
- TMV3 WRAS approved thermostatic mixer tap with copper tails
- Contemporary grab rail straight, 60cm long x 4
- Contemporary grab rail straight, 45cm long
- Contemporary hinged support rail, 80cm long
- Multi-system back support

Selecting your Part M Pack



Left Hand Pack



Right Hand Pack

Product codes

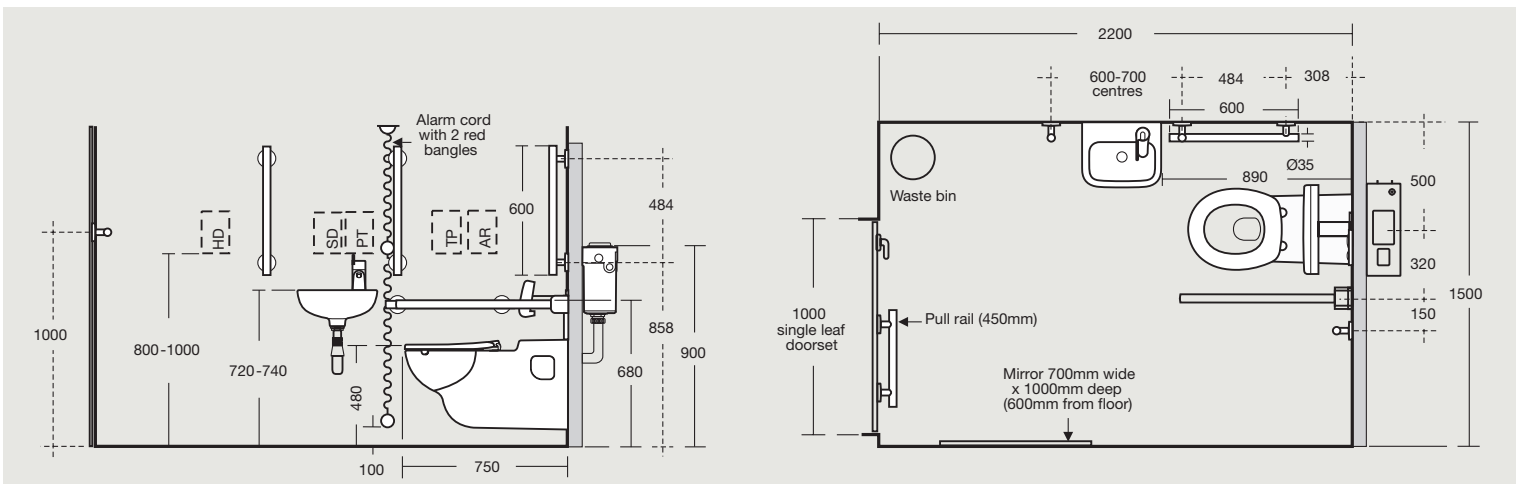
[S6972\(AA\)](#) Doc M Contour 21 Left Hand Pack - Chrome rails and white seat

[S6973\(AA\)](#) Doc M Contour 21 Right Hand Pack - Chrome rails and white seat

Other colour options available include:

Stainless steel rails and grey seat (MY)

For more information or to order this product visit www.thebluebook.co.uk



Part M Solutions

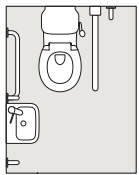
DOC M SENSORFLOW WALL-MOUNTED PACK

This LABC approved pack offers striking contemporary design and proven Sensorflow technology create a state of the art Part M compliant facility, whose sensor activated electronic basin mixer and WC flush eliminate the need for manual operation.

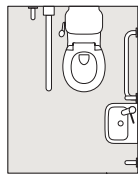
Pack Includes

- Rimless wall-mounted WC pan, 75cm projection
- Seat, no cover, top fixing hinges and retaining buffers
- Sensorflow 21 WC flushing device, panel mounted sensor, delay fill 4 or 4.5 litre
- Washbasin, no overflow or chainstay hole, 37cm
- WRAS approved and Water Technology list sensor tap and TMV3 WRAS approved thermostatic mixing valve
- Contemporary grab rail straight, 60cm long x 4
- Contemporary grab rail straight, 45cm long
- Contemporary hinged support rail, 80cm long
- Multi-system back support
- Concept toilet roll holder

Selecting your Part M Pack



Left Hand Pack



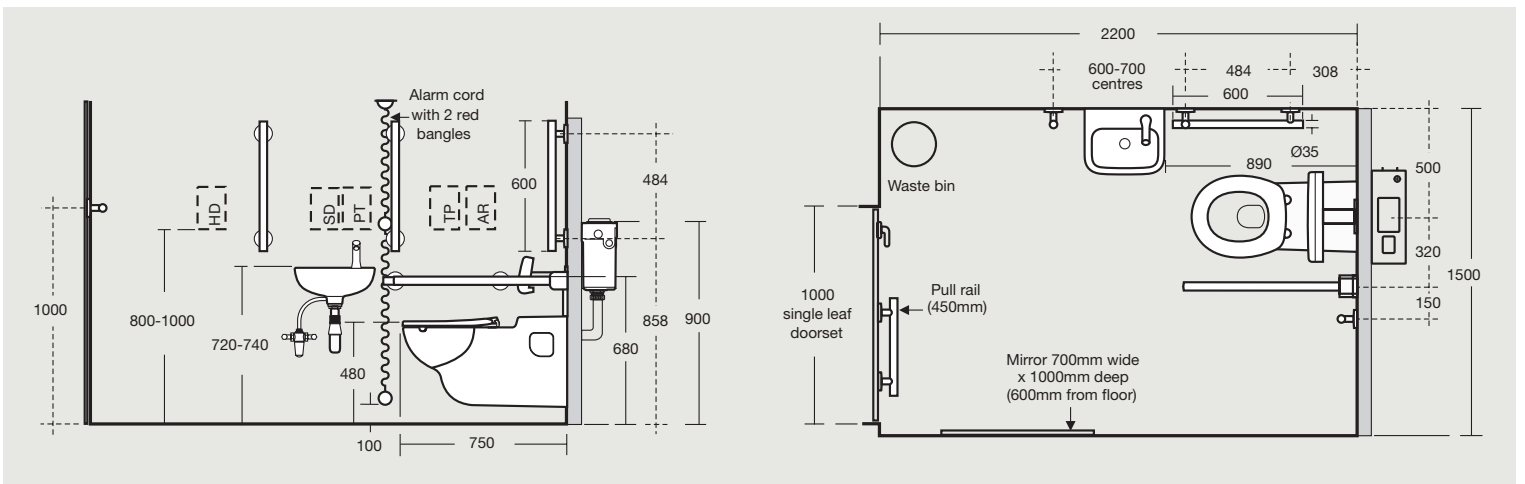
Right Hand Pack

Product Codes

S6986(AA) Doc M Contour 21 and Sensorflow 21 Left Hand Pack - Chrome rails and white seat

S6987(AA) Doc M Contour 21 and Sensorflow 21 Right Hand Pack - Chrome rails and white seat

For more information or to order this product visit www.thebluebook.co.uk



Part M Solutions

CONCEPT FREEDOM HOTEL ENSUITE BATHROOM

Luxury wheelchair accessible ensuite bathroom that meets the requirements for Part M. Concept Freedom is part of the Concept range and brings sophistication into this often design neglected area. Ideal for hotels and care homes.

Pack Includes

- Wall-mounted WC pan, 75cm projection
- Seat, no cover
- Concealed cistern 4/2.6 litre dual flush
- Karisma Flush plate
- Elongated handrinse washbasin, 60cm
- Concept Blue mixer tap and TMV3 WRAS Thermostatic mixing valve
- Contemporary 21 grab rail straight , 60cm long x 4
- Contemporary 21 grab rail straight, 45cm long
- Contemporary 21 hinged support rail, 80cm long
- Contemporary back rest

Product Codes

S6402(AA) Concept Freedom ensuite bathroom pack - Chromium rails and white seat

CONCEPT FREEDOM SHOWER PACK

Luxury wheelchair accessible shower room that meets the requirements of Part M. Pack includes everything required to specify a shower room including luxury Hewi shower seat, chrome grab rails and thermostatic shower valve and shower kit with easy operation handles.

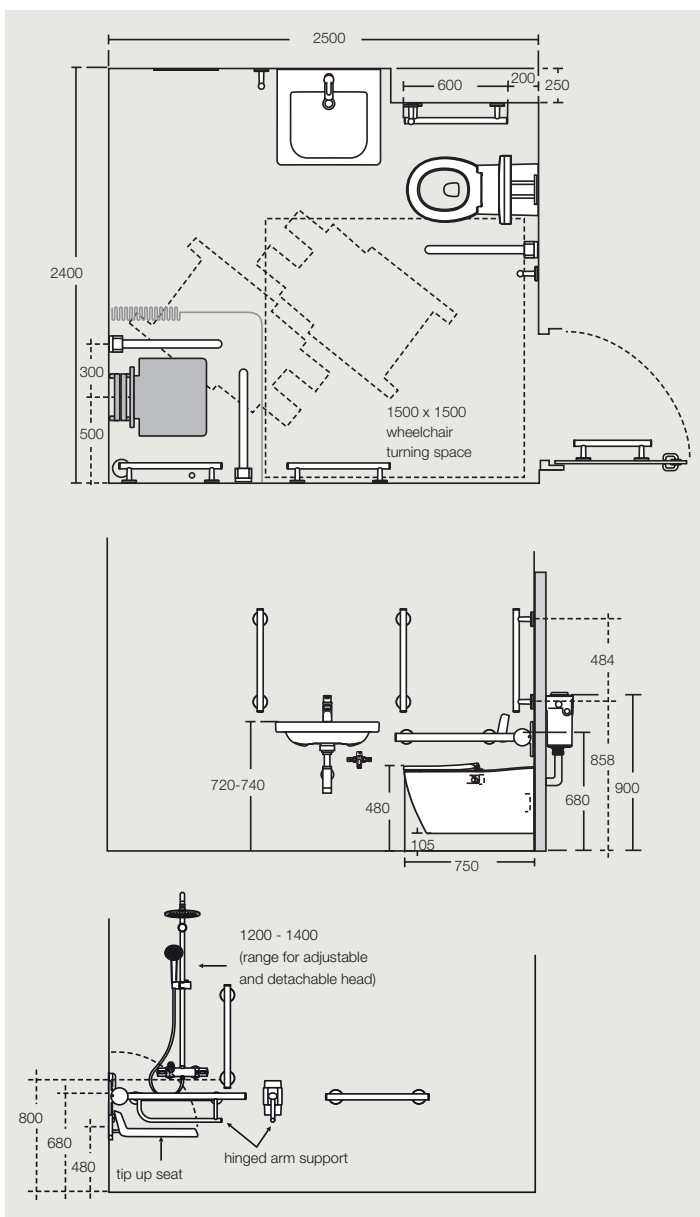
Pack Includes

- Detachable Hewi shower seat and rail
- Freedom dual thermostatic shower with easy operation pin handles
- Contemporary 21 hinged support rail, 80cm long
- Contemporary 21 grab rail straight, 60cm long x 2

Product Codes

S6407(AA) Concept Freedom shower pack

For more information or to order these products visit www.thebluebook.co.uk



Part M Solutions

DOC M CLOSE-COUPLED WC WITH STANDING HEIGHT BASIN PACK

The room set is described in Part M as “Doc M Close-Coupled Pack and additional washbasin for standing users”. This provides the unisex wheelchair toilet facility suitable for use where only one washroom exists within a building.

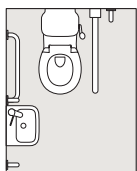
Pack Includes

- Raised height WC pan, 75cm projection
- Seat, no cover, top fixing hinges and retaining buffers
- Water saving cistern with spatula lever
- Handrinse washbasin, 37cm
- TMV3 WRAS approved thermostatic mixer tap with copper tails
- Grab rail straight, 60cm long x 4
- Grab rail straight, 45cm long
- Hinged support rail, 80cm long with toilet roll holder

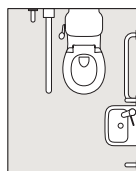
Additional Items

- Portman 21 washbasin, 50cm trap and waste
- Grab rail straight, 60cm long
- TMV3 WRAS approved thermostatic mixer tap with copper tails

Selecting your Part M Pack



Left Hand Pack



Right Hand Pack

Product Codes

- S6966(AC) Doc M Contour 21 Left Hand Corner Pack - White rails and white seat
S6967(AC) Doc M Contour 21 Right Hand Corner Pack - White rails and white seat

Additional Product Codes

- S2252(01) Portman 21 washbasin, 50cm
S9137(67) Bracket concealed with clamps and centre waste support for Portman 21 washbasins, 60 and 50cm
A4169(AA) Contour 21 TMV3 WRAS approved thermostatic mixer tap with copper tails
S8734(AA) Brass swivel plug waste, 80mm unslotted tail
S8910(67) Plastic bottle trap, 75mm seal
S6454(AC) Contour 21 grab rail straight, 60cm long x 2

Other colour options available include:

- Blue rails and blue seat (LI)
Grey rails and grey seat (LJ)
Charcoal rails and charcoal seat (RN)
Stainless steel rails and white seat (MY)

For more information or to order this product visit www.thebluebook.co.uk

Part M Solutions

DOC M PENINSULAR CARE PACK

Designed especially to provide wheelchair access to the WC from either side, the functional ergonomics of the close-coupled WC and twin grab rails produce a washroom of ultimate convenience.

Pack Includes

- Close-coupled raised height WC pan, 75cm projection with floor fixing kit
- Seat, no cover, top fixing hinges and retaining buffers
- Water saving cistern with spatula lever
- Larger washbasin, 60cm
- TMV3 WRAS approved thermostatic mixer tap with copper tails
- Grab rail straight, 60cm long x 4
- Grab rail straight, 45cm long
- Hinged arm support, with toilet roll holder x 2

Product Codes

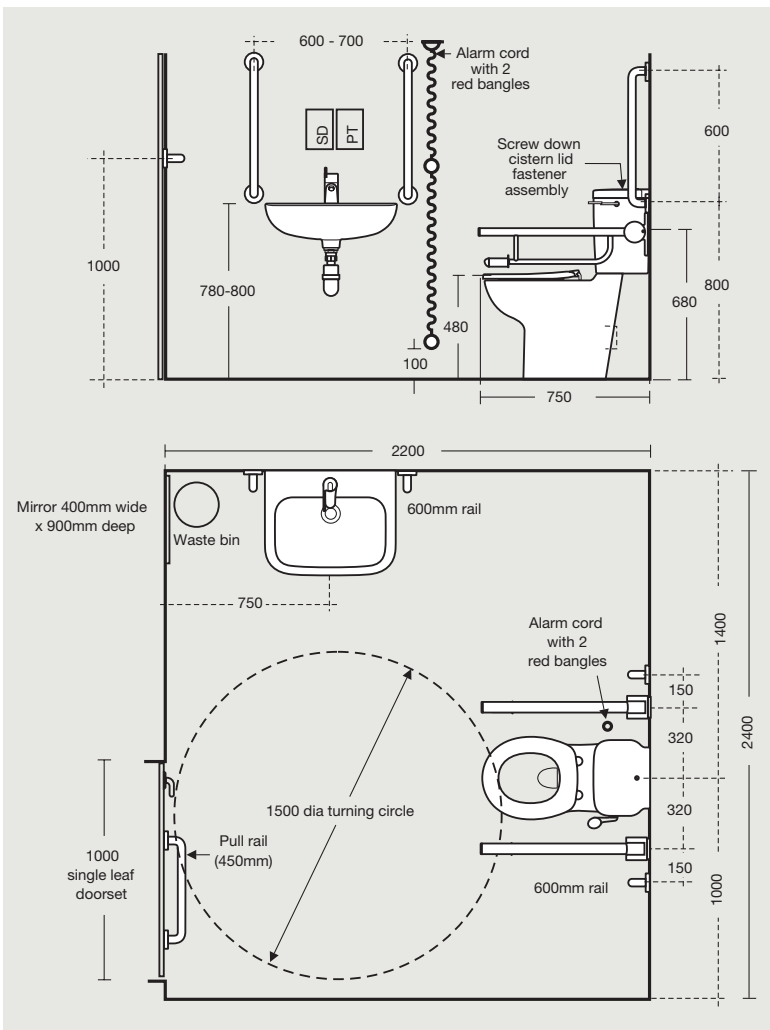
S6959(L) Contour 21 Peninsular Care Pack - Blue rails and blue seat

Other colour options available include:

White rails and white seat (AC)

Charcoal rails and charcoal seat (RN)

For more information or to order this product visit www.thebluebook.co.uk



Part M Solutions

DOC M AMBULANT BACK-TO-WALL OR CLOSE-COUPLED PACKS

Equipment for ambulatory accessible WC compartments for walking impaired people.

Pack Includes

- Rimless back-to-wall WC
- Seat, no cover, top fixing hinges and retaining buffers
- Conceala 2 cistern 4.5 or 6 litre single flush with lever
- Grab rail straight, 60cm long x 3
- Grab rail straight, 45cm long
- Clothes hook

Product Codes

S6957(AC) Contour 21 back-to-wall WC Pack - White rails and white seat

S6858(AC) Contour 21 close-coupled WC Pack - White rails and white seat

Other colour options available include:

Blue rails and blue seat (LI)

Grey rails and grey seat (LJ)

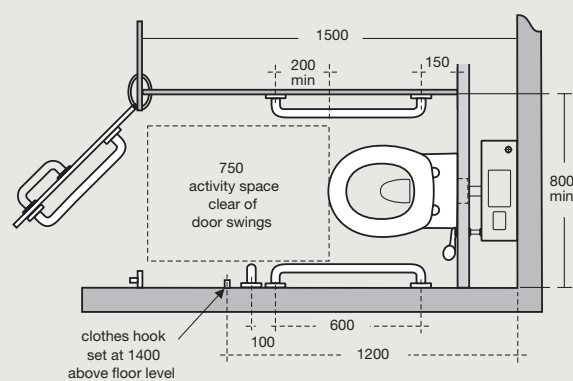
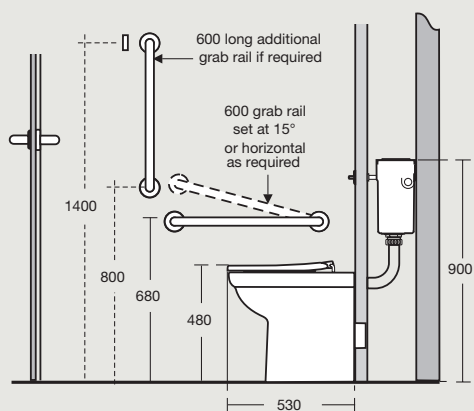
Charcoal rails and charcoal seat (RN)

Stainless steel rails and grey seat (MY)

For more information or to order this product visit www.thebluebook.co.uk



Ambulant disabled cubicle solution 



Part M Solutions

DOC M BACK-TO-WALL ENLARGED CUBICLE

Equipment for extra wide enlarged WC cubicle suitable for ambulant disabled, people with babies or small children and/or people with large bags/luggage. This installation conforms to Document M of the Building Regulations.

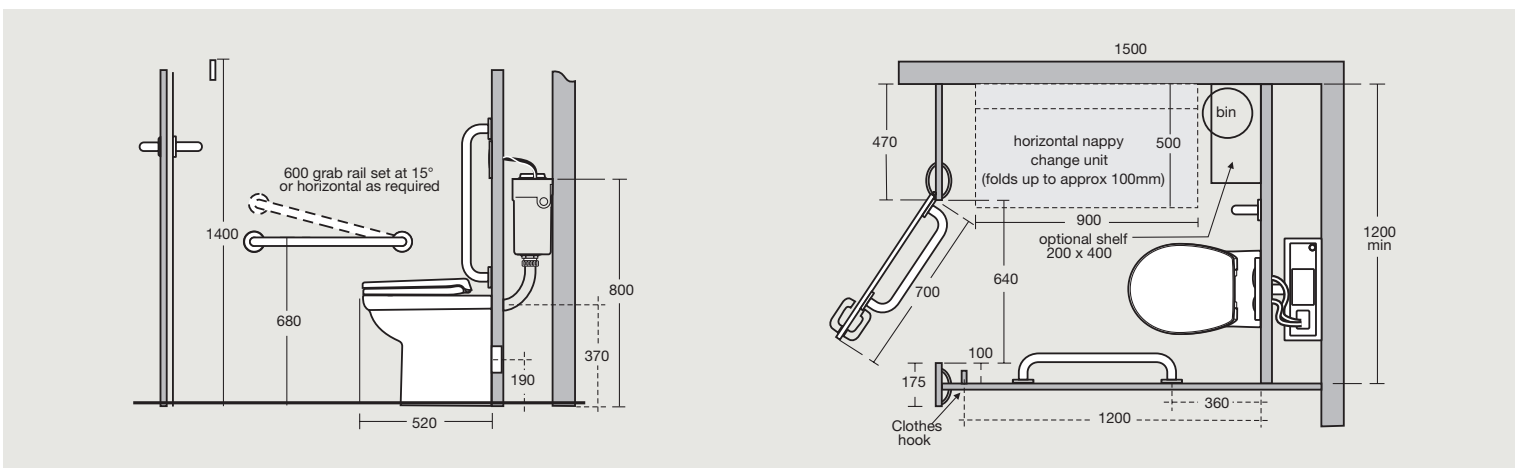
Product Codes

S3056(01)	Back-to-wall rimless standard height WC pan with horizontal outlet
S4065(01)	Seat and cover, top fixing hinges, white
S4067(67)	Seat retaining buffers, white
S3643(67)	Conceala 2 cistern 4.5/3 or 4/2.6 litre dual flush valve
S4504(MY)	Flush plate dual flush
S6454(AC)	Grab rail straight, 60cm long x 2, white
S6452(AC)	Grab rail straight, 45cm long, white
S5093(AC)	Clothes hook

Other colour options available include:

Blue rails and blue seat (LI)
Grey rails and grey seat (LJ)
Charcoal rails and charcoal seat (RN)
Stainless steel rails and grey seat MY)

For more information or to order this product visit www.thebluebook.co.uk



Part M Solutions

DOC M SHOWER ROOM PACK

An installation for use by ambulant disabled, walking impaired and infirm people, providing shower area with slip-resistant floor, hinged seat, lever operated mixer, adjustable shower head, shower curtain and grab rails. Thermostatic shower valve TMV3 WRAS approved to help prevent scalding. The shower valve and diverter are designed for duct installation.

Pack Includes

- Folding shower seat and back support
- Grab rail straight, 60cm long x 3
- Grab rail straight, 45cm long x 2
- Hinged support rail, 80cm long
- TMV3 WRAS approved lever operated thermostatic mixer
- Shower handset holder
- Handset and hose
- Fixed short projection shower head
- Lever operated diverter
- Clothes hook

Product Codes

S6960(AC) Doc M Shower Room Pack

Other colour options available include:

White with blue rails (LI)

White with grey rails (LJ)

White with stainless steel rails (MY)

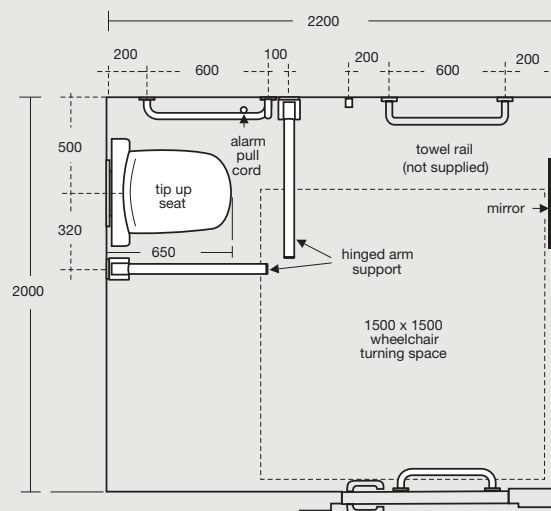
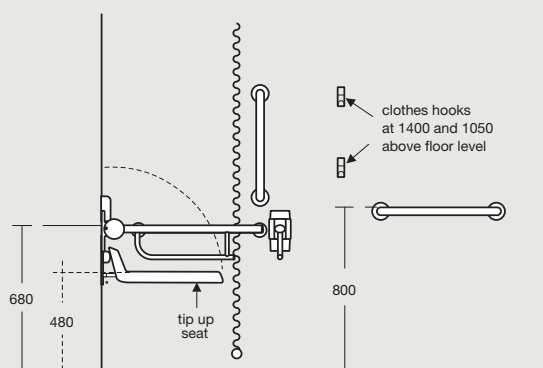
White with charcoal rails (RN)

White with chrome rails (AA)

For more information or to order this product visit www.thebluebook.co.uk



Public shower facilities solution 



Guarantee

Lifetime

all ceramic products

5 years

on taps, mixers, toilet seats, stainless steel and cistern fittings

Our confidence in the quality and reliability of our product allows us to offer outstanding extended guarantees on all our products – where the product fails within 5/25 years/lifetime we offer a free replacement or replacement part (or nearest equivalent). So when your washroom has been satisfactorily installed and is working well, please ensure you register your guarantee.

This guarantee is transferable – it applies to the product not the purchaser provided the guarantee registration is passed on to the new owner.

Liability is limited to individual products and the guarantee does not cover the consequential loss or damage or installation costs. This guarantee does not affect your statutory rights. Products must be installed, used and cared for in line with our fixing instructions and local water regulations, and room must be adequately ventilated.

Parts (eg. flushvalves) are guaranteed for five years and will be replaced if found to be faulty. The guarantee does not cover general wear and tear.

Applies to UK and Republic of Ireland only.

You can register for guarantees on a bathroom bought on your behalf by a plumber or builder.

Colours printed in this book are as near as possible to the manufactured range of Armitage Shanks quality bathrooms. For accurate comparisons of colours, see actual ware on display at Armitage Shanks retailers. Our policy is one of continuous improvement and we reserve the right to change specification and design at any time without notice.

All measurements are in millimetres and are approximate. Products can be subject to tolerances due to manufacturing processes.

The recommendations in this guide are based on Armitage Shank's interpretation of Part M of The Building Regulations. The onus is on the specifier to ensure their designs are in line with Part M, wherever possible by direct reference to it and other relevant publications.

© Armitage Shanks P1799 09/15